

# GENERAL SPECIFICATIONS

Project:  
**Parkway Health & Rehab**  
**New Nursing Home Facility**  
 230 River Oaks Dr.  
 Canton, MS 39046

Date: **02/10/2021**  
 Rev/Date:

## EXCEPTIONS NOTED

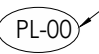
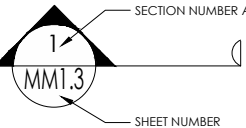
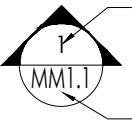

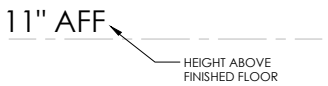
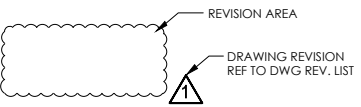
ARCHITECT NOTES:

GENERAL CONTRACTOR NOTES:

## CONTRACT SCOPE & INDEX OF DRAWINGS

#	DESCRIPTION	# OF ROOMS	SHEET #
0	INDEX & SCOPE	N/A	MM0.1.0-MM0.1.1
1	KEY PLAN	N/A	MM0.2
2	FINISHES	N/A	MM 0.3
3	RECEPTION	1	MM1.0
4	WORK	1	MM2.0 - MM2.2
5	CORRIDOR	1	MM3.0 - MM3.1
6	REHAB	1	MM4.0 - MM4.2
7	VENDING	1	MM5.0
8	SALON	1	MM6.0
9	BREAK ROOM	1	MM7.0
10	DRUG	1	MM8.0 - MM8.2
11	MAINTENANCE SHOP	1	MM9.0 - MM9.2
12	SOILED LINEN	1	MM10.0
13	UTILITY	1	MM11.0 - MM11.2
14	TYP BEDROOM/BATH	87R/174 UNITS	MM12.0

## GENERAL SYMBOLS

SYMBOL	DESCRIPTION	SYMBOL	DESCRIPTION
	FINISH MARK <small>FINISH NUMBER REF TO FINISH SCHEDULE</small>		SECTION MARK <small>SECTION NUMBER AT SHEET NUMBER</small>
	ELEVATION MARK <small>ELEVATION NUMBER AT SHEET NUMBER</small>		GRAIN DIRECTION
	WALL BLOCKING (BY OTHERS) <small>HEIGHT ABOVE FINISHED FLOOR</small>		REVISION MARK <small>REVISION AREA DRAWING REVISION REF TO DWG REV. LIST</small>

## EXCLUSIONS

Project:  
**Parkway Health & Rehab**  
**New Nursing Home Facility**  
 230 River Oaks Dr.  
 Canton, MS 39046

Millwork manufacturer/Installer:  
 Sheet title: **Index & Scope**  
 Drawn By: **GK**  
 ALL DIMENSIONS TO BE VIF PRIOR TO FABRICATION | ALL MATERIAL CONNECTIONS TBD IN SHOP TO BEST ACCOMMODATE SPECIFIC PIECE

Sheet #:  
**MM0.1.0**

# GENERAL SPECIFICATIONS

Project:  
**Parkway Health & Rehab**  
**New Nursing Home Facility**  
 230 River Oaks Dr.  
 Canton, MS 39046

Date: **02/10/2021**  
 Rev/Date:

## CONTRACT SCOPE & INDEX OF DRAWINGS

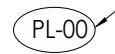
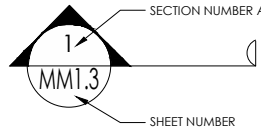
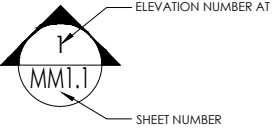

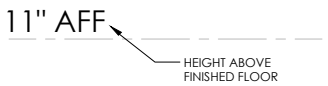
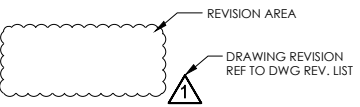
#	DESCRIPTION	# OF ROOMS	SHEET #
15	NURSE STATION	1	MM13.0 - MM13.5
16	NURSE ROOM	1	MM14.0 - MM14.2
17	KITCHEN COILING DOOR SILL	1 R/2 DOORS	MM15.0
18	WINDOWS TYPE A, B, C, D	N/A	MM16.0
19	TYP. BEDROOM CROWN MOLDING	N/A	MM17.0
20	SECTIONS	N/A	MM18.0 - MM18.8

## EXCEPTIONS NOTED

ARCHITECT NOTES:

GENERAL CONTRACTOR NOTES:

## GENERAL SYMBOLS

SYMBOL	DESCRIPTION	SYMBOL	DESCRIPTION
	FINISH MARK <small>FINISH NUMBER REF TO FINISH SCHEDULE</small>		SECTION MARK <small>SECTION NUMBER AT SHEET NUMBER</small>
	ELEVATION MARK <small>ELEVATION NUMBER AT SHEET NUMBER</small>		GRAIN DIRECTION
	WALL BLOCKING (BY OTHERS) <small>HEIGHT ABOVE FINISHED FLOOR</small>		REVISION MARK <small>REVISION AREA DRAWING REVISION REF TO DWG REV. LIST</small>

## EXCLUSIONS

Project:  
**Parkway Health & Rehab**  
**New Nursing Home Facility**  
 230 River Oaks Dr.  
 Canton, MS 39046

Millwork manufacturer/Installer:

Drawn By:

**GK**

Sheet #:

**MM0.1.1**

**Index & Scope**

ALL DIMENSIONS TO BE VIF PRIOR TO FABRICATION | ALL MATERIAL CONNECTIONS TBD IN SHOP TO BEST ACCOMMODATE SPECIFIC PIECE

REF. TO DWG MM2.0 - MM2.2 FOR DETAILS WORK

REF. TO DWG MM4.0 - MM4.2 FOR DETAILS REHAB

REF. TO DWG MM3.0 - MM3.1 FOR DETAILS CORRIDOR

REF. TO DWG MM6.0 FOR DETAILS SALON

REF. TO DWG MM8.0 - MM8.2 FOR DETAILS DRUG

REF. TO DWG MM13.0 - MM13.5 FOR DETAILS NURSE STATION

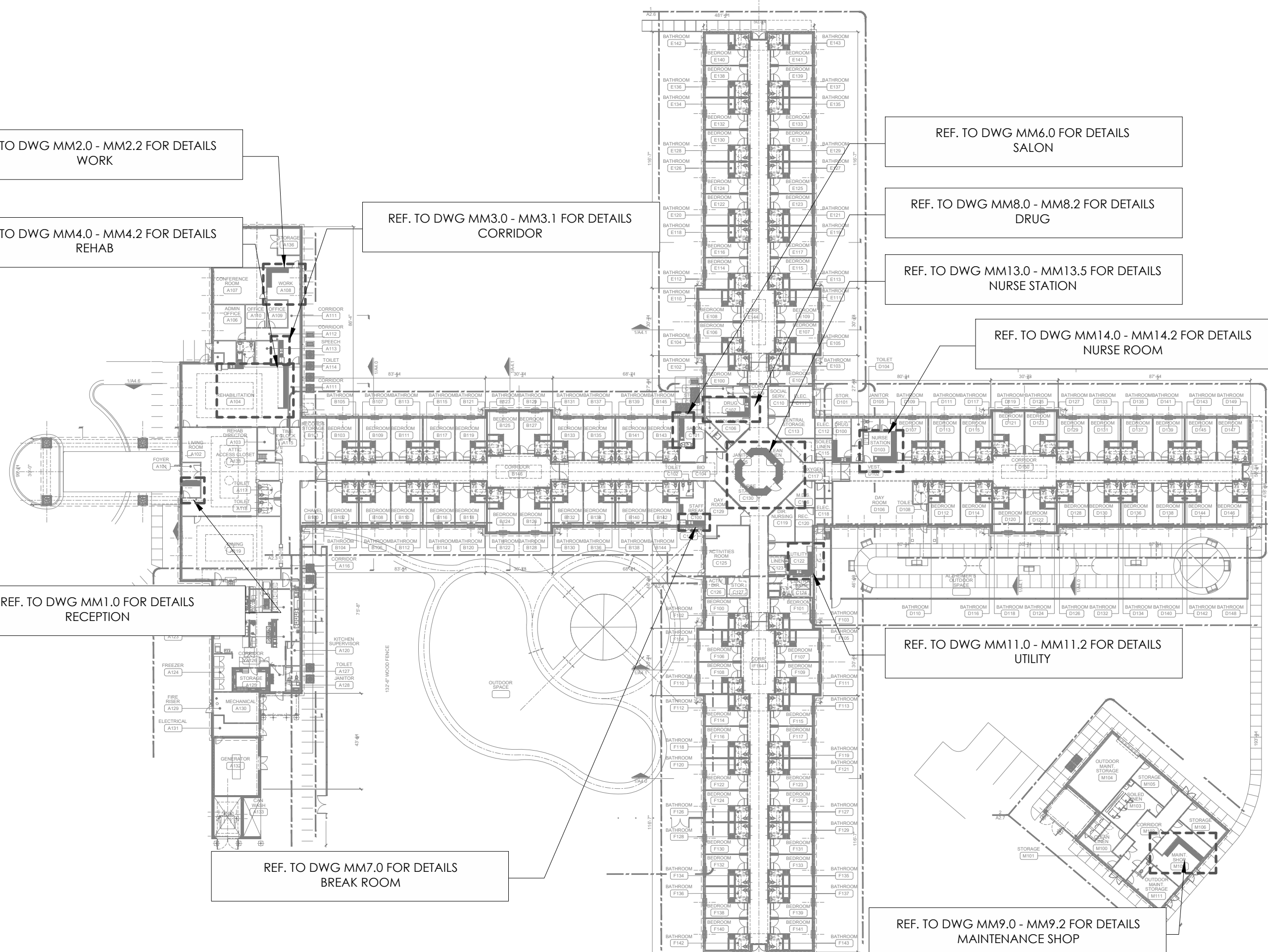
REF. TO DWG MM14.0 - MM14.2 FOR DETAILS NURSE ROOM

REF. TO DWG MM1.0 FOR DETAILS RECEPTION

REF. TO DWG MM11.0 - MM11.2 FOR DETAILS UTILITY

REF. TO DWG MM7.0 FOR DETAILS BREAK ROOM

REF. TO DWG MM9.0 - MM9.2 FOR DETAILS MAINTENANCE SHOP



Date: **02/10/2021**

Rev/Date: \_\_\_\_\_  
 \_\_\_\_\_  
 \_\_\_\_\_

Project:  
**Parkway Health & Rehab**  
**New Nursing Home Facility**  
 230 River Oaks Dr.  
 Canton, MS 39046

**FINISH SCHEDULE**

<u>TYPE</u>	<u>MATERIAL</u>	<u>MANUFACTURER</u>	<u>MODEL #</u>	<u>COLOR/FINISH</u>	<u>LOCATION</u>	<u>SPECIFICATIONS/NOTES</u>
PL-1	PLASTIC LAMINATE	TBD	TBD	TBD	REF TO ELEVATIONS	-
PL-2	PLASTIC LAMINATE	TBD	TBD	TBD	REF TO ELEVATIONS	-
SS-1	SOLID SURFACE	TBD	TBD	TBD	REF TO ELEVATIONS	-

**HARDWARE SCHEDULE**

<u>TYPE</u>	<u>MATERIAL</u>	<u>MANUFACTURER</u>	<u>MODEL #/SIZE</u>	<u>COLOR/FINISH</u>	<u>LOCATION</u>	<u>SPECIFICATIONS</u>
DRAWER SLIDES	METAL	ACCURIDE	AC-383222	ZINK	WHERE APPLICABLE	-
HINGES	METAL	BLUM INSERTA	73T5590B / 120°	ZINK	WHERE APPLICABLE	-
PULLS	METAL	JEFFERY ALEXANDER	96 mm WIRE	BRUSHED CHROME	WHERE APPLICABLE	-
SHELF PINS	METAL	TBD	5mm	SILV W/ CLEAR PAST. REST	WHERE APPLICABLE	
C/T SUPPORT BRACKET	METAL	A&M	TBD	TBD	WHERE APPLICABLE	
LOCK	METAL	TBD	TBD	TBD	WHERE APPLICABLE	

Millwork manufacturer/Installer:

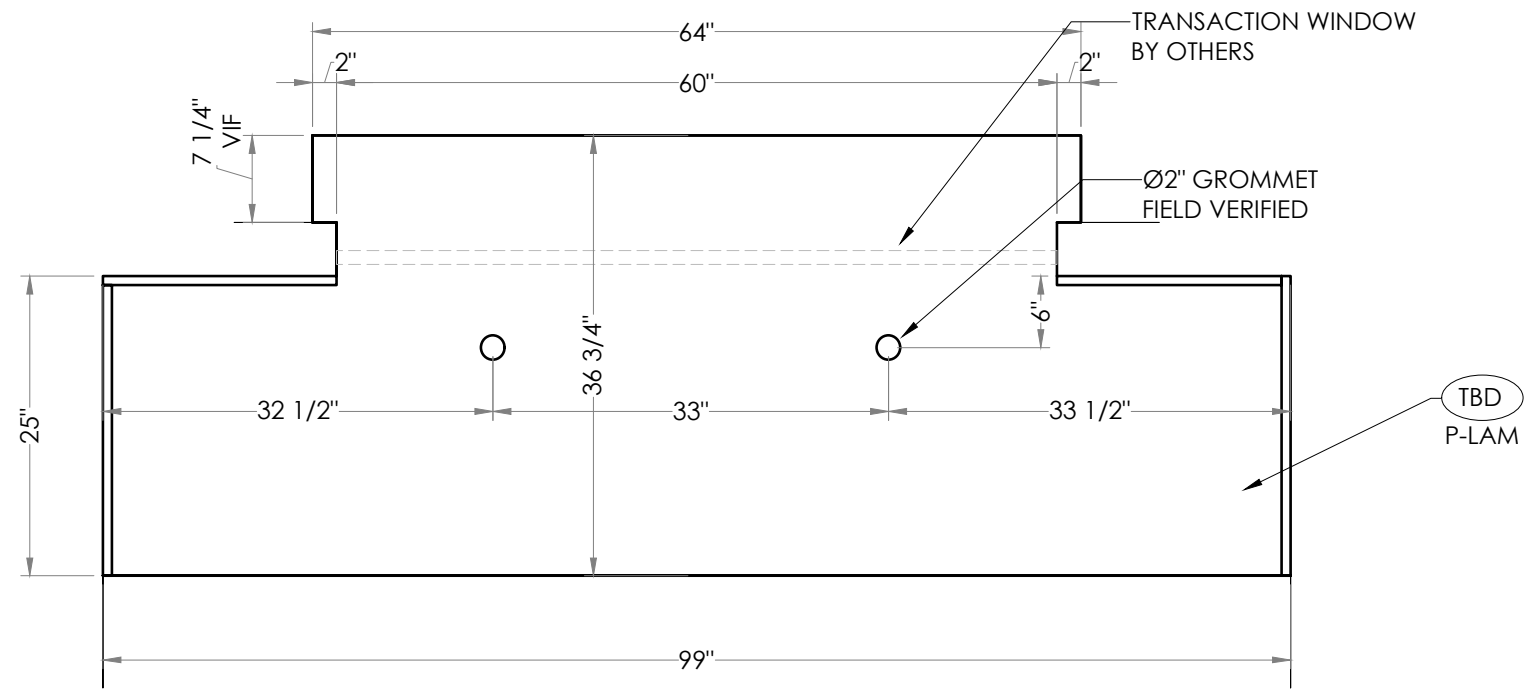
Drawn By: **GK**

Sheet #:

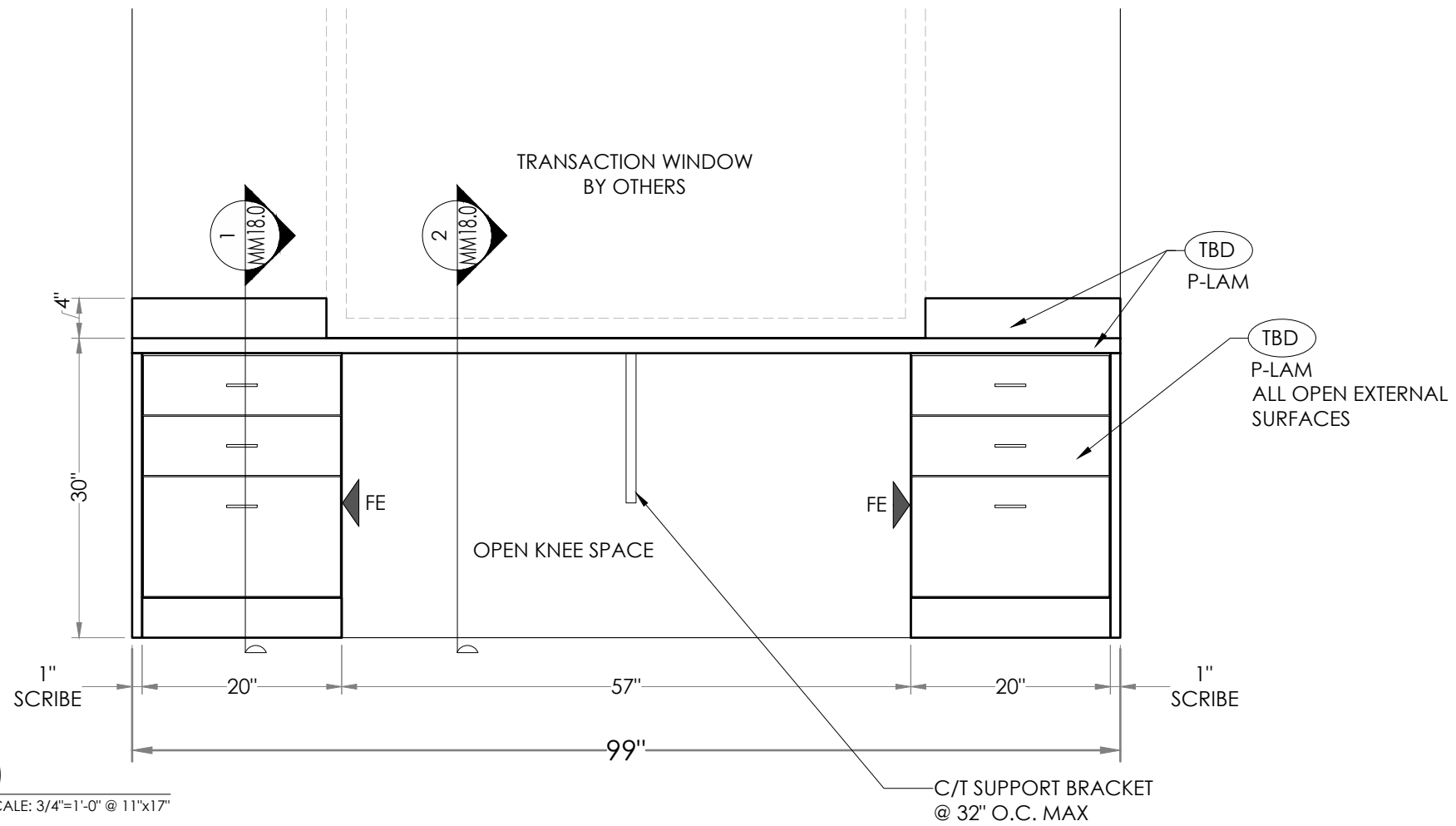
**MM0.3**

FINISHES

ALL DIMENSIONS TO BE VIF PRIOR TO FABRICATION | ALL MATERIAL CONNECTIONS TBD IN SHOP TO BEST ACCOMMODATE SPECIFIC PIECE



1 RECEPTION - 1 ROOM (A101)  
 MM1.0 PLAN SCALE: 3/4"=1'-0" @ 11"x17"



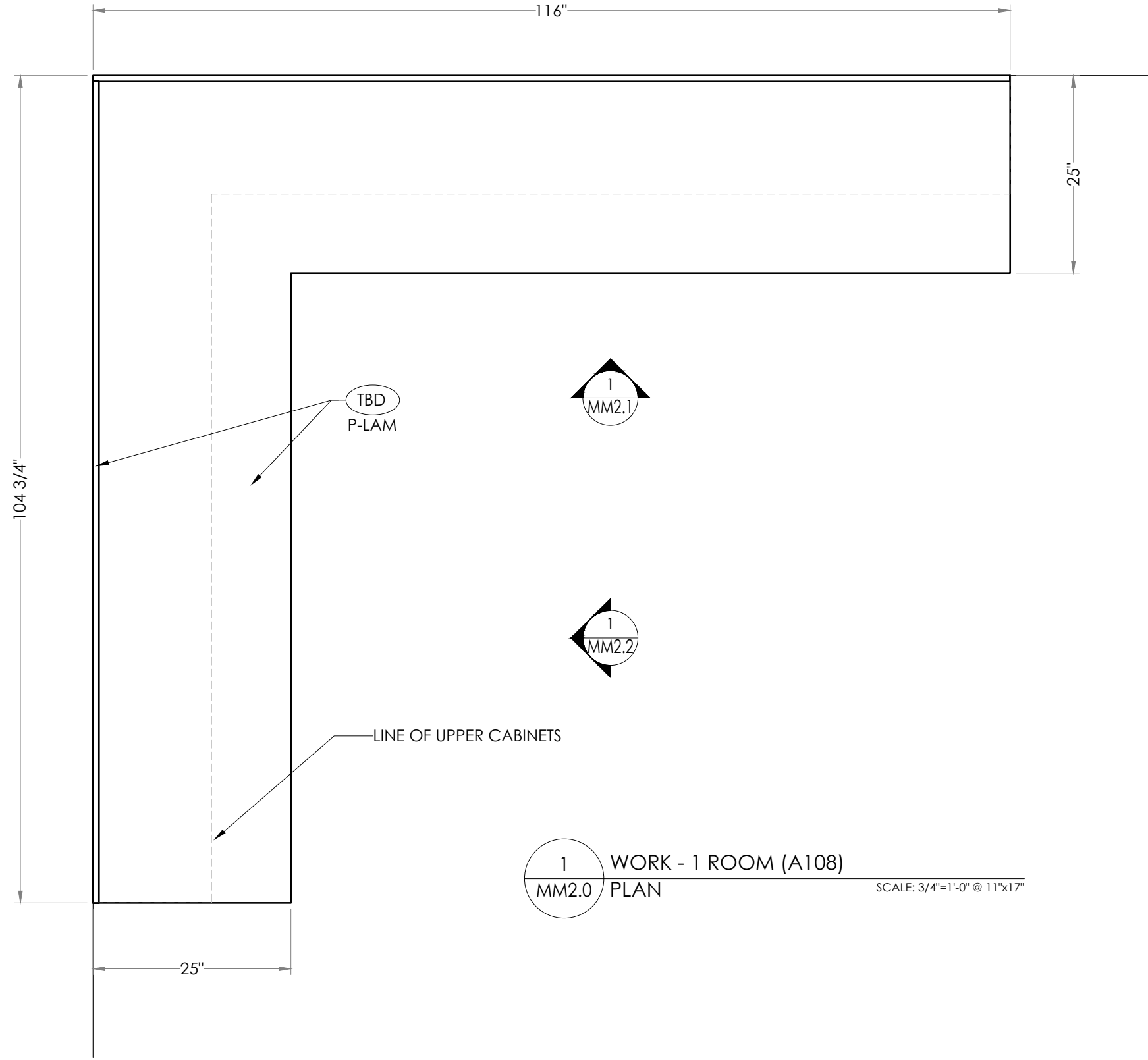
2 RECEPTION - 1 ROOM (A101)  
 MM1.0 ELEVATION SCALE: 3/4"=1'-0" @ 11"x17"

Date: **02/10/2021**  
 Rev/Date:

Project:  
 Parkway Health & Rehab  
 New Nursing Home Facility  
 230 River Oaks Dr.  
 Canton, MS 39046

Millwork manufacturer/Installer:  
 Sheet title: **RECEPTION - 1 ROOM (A101)**  
 Drawn By: **GK**  
 ALL DIMENSIONS TO BE VIF PRIOR TO FABRICATION | ALL MATERIAL CONNECTIONS TBD IN SHOP TO BEST ACCOMMODATE SPECIFIC PIECE

Sheet #: **MM1.0**

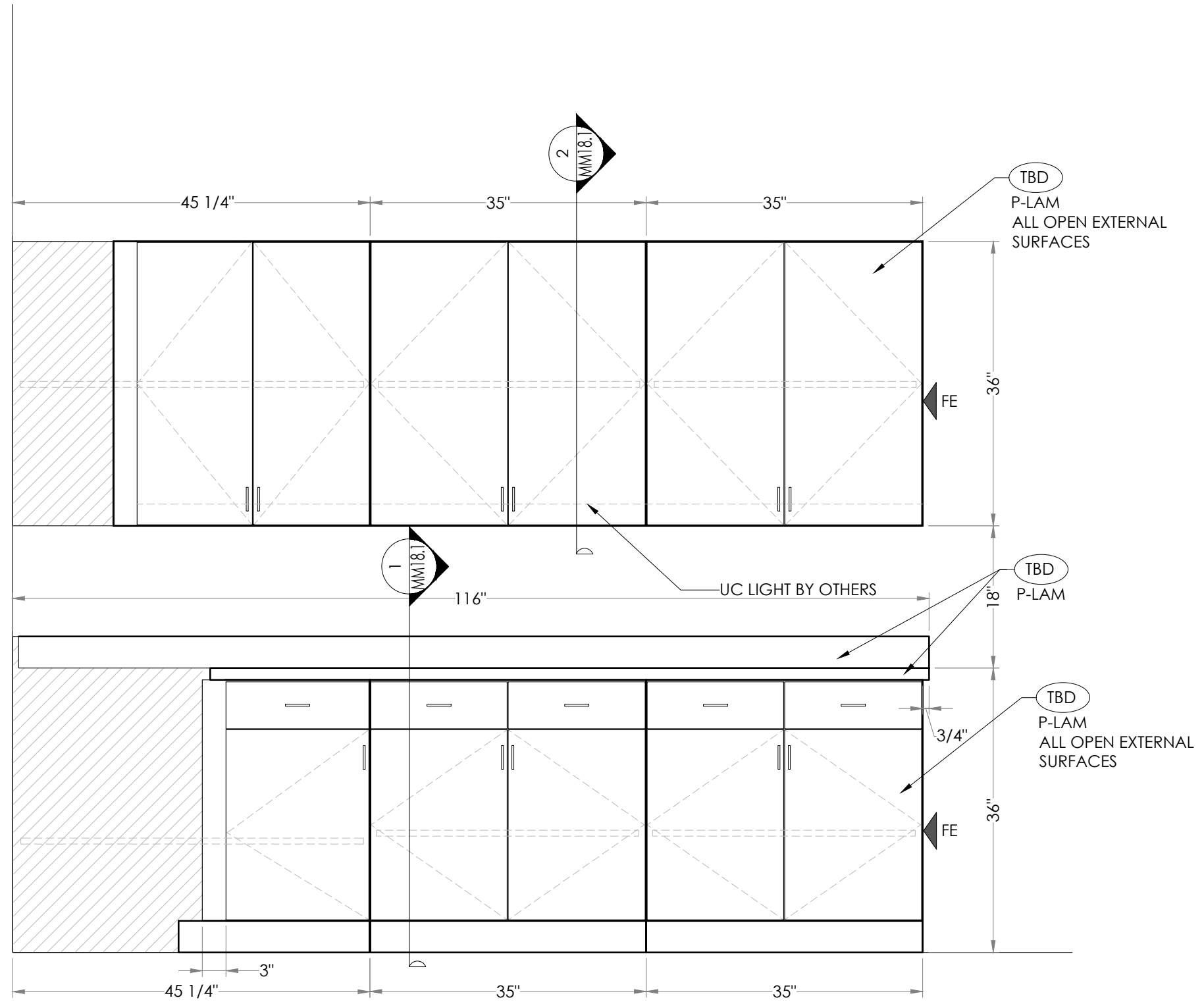


Date: **02/10/2021**  
 Rev/Date:

Project:  
 Parkway Health & Rehab  
 New Nursing Home Facility  
 230 River Oaks Dr.  
 Canton, MS 39046

Millwork manufacturer/Installer:  
 Sheet title: **WORK - 1 ROOM (A108)**  
 Drawn By: **GK**  
 ALL DIMENSIONS TO BE VIF PRIOR TO FABRICATION | ALL MATERIAL CONNECTIONS TBD IN SHOP TO BEST ACCOMMODATE SPECIFIC PIECE

Sheet #: **MM2.0**



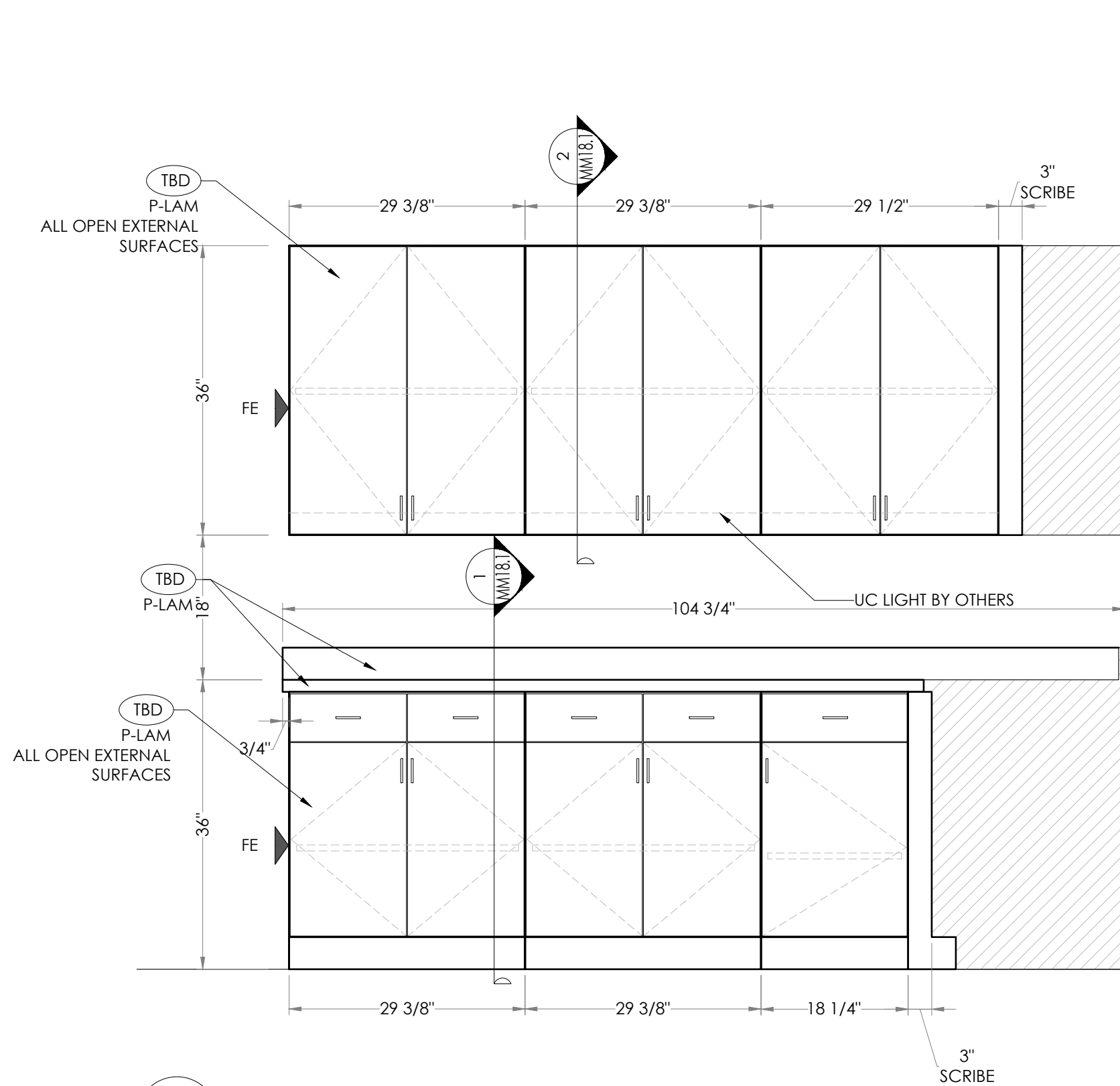
1 WORK - 1 ROOM (A108)  
 MM2.1 ELEVATION SCALE: 3/4"=1'-0" @ 11"x17"

Date: **02/10/2021**  
 Rev/Date:

Project:  
 Parkway Health & Rehab  
 New Nursing Home Facility  
 230 River Oaks Dr.  
 Canton, MS 39046

Manufacturer/Installer:  
 Drawn By: **GK**  
 Sheet title: **WORK - 1 ROOM (A108)**  
 ALL DIMENSIONS TO BE VIF PRIOR TO FABRICATION | ALL MATERIAL CONNECTIONS TBD IN SHOP TO BEST ACCOMMODATE SPECIFIC PIECE

Sheet #:  
**MM2.1**



1 WORK - 1 ROOM (A108)  
 MM2.1 ELEVATION SCALE: 3/4"=1'-0" @ 11"x17"

Date: **02/10/2021**

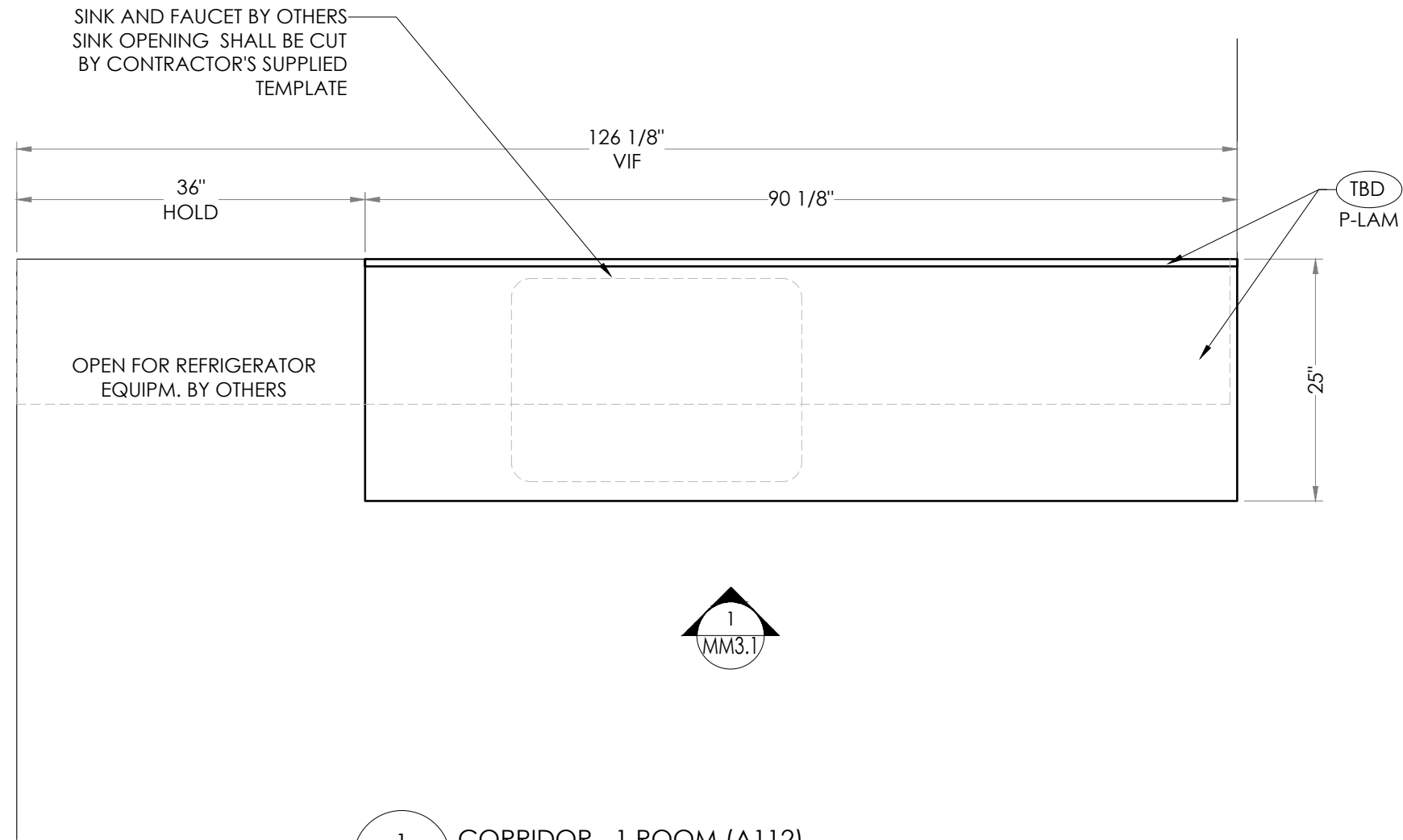
Rev/Date:

Project:  
 Parkway Health & Rehab  
 New Nursing Home Facility  
 230 River Oaks Dr.  
 Canton, MS 39046

Millwork manufacturer/installer:  
 Sheet title: **WORK - 1 ROOM (A108)**  
 Drawn By: **GK**  
 ALL DIMENSIONS TO BE VIF PRIOR TO FABRICATION | ALL MATERIAL CONNECTIONS TBD IN SHOP TO BEST ACCOMMODATE SPECIFIC PIECE

Sheet #: **MM2.2**





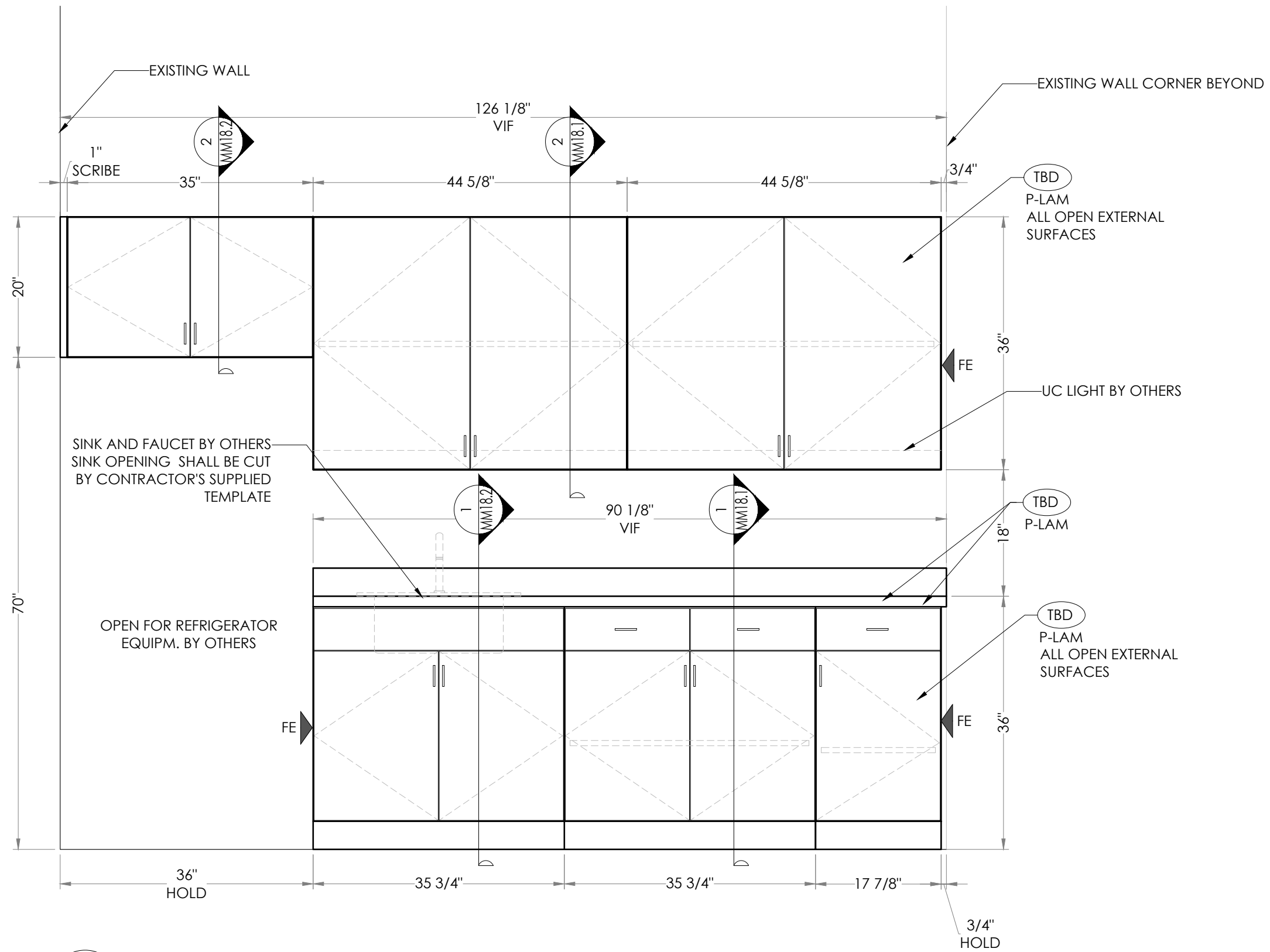
1 CORRIDOR - 1 ROOM (A112)  
MM3.0 PLAN SCALE: 3/4"=1'-0" @ 11"x17"

Date: **02/10/2021**  
Rev/Date:

Project:  
Parkway Health & Rehab  
New Nursing Home Facility  
230 River Oaks Dr.  
Canton, MS 39046

Millwork manufacturer/Installer:  
Sheet title:  
**CORRIDOR - 1 ROOM (A112)**  
ALL DIMENSIONS TO BE VIF PRIOR TO FABRICATION | ALL MATERIAL CONNECTIONS TBD IN SHOP TO BEST ACCOMMODATE SPECIFIC PIECE  
Sheet #: **GK**

Sheet #:  
**MM3.0**



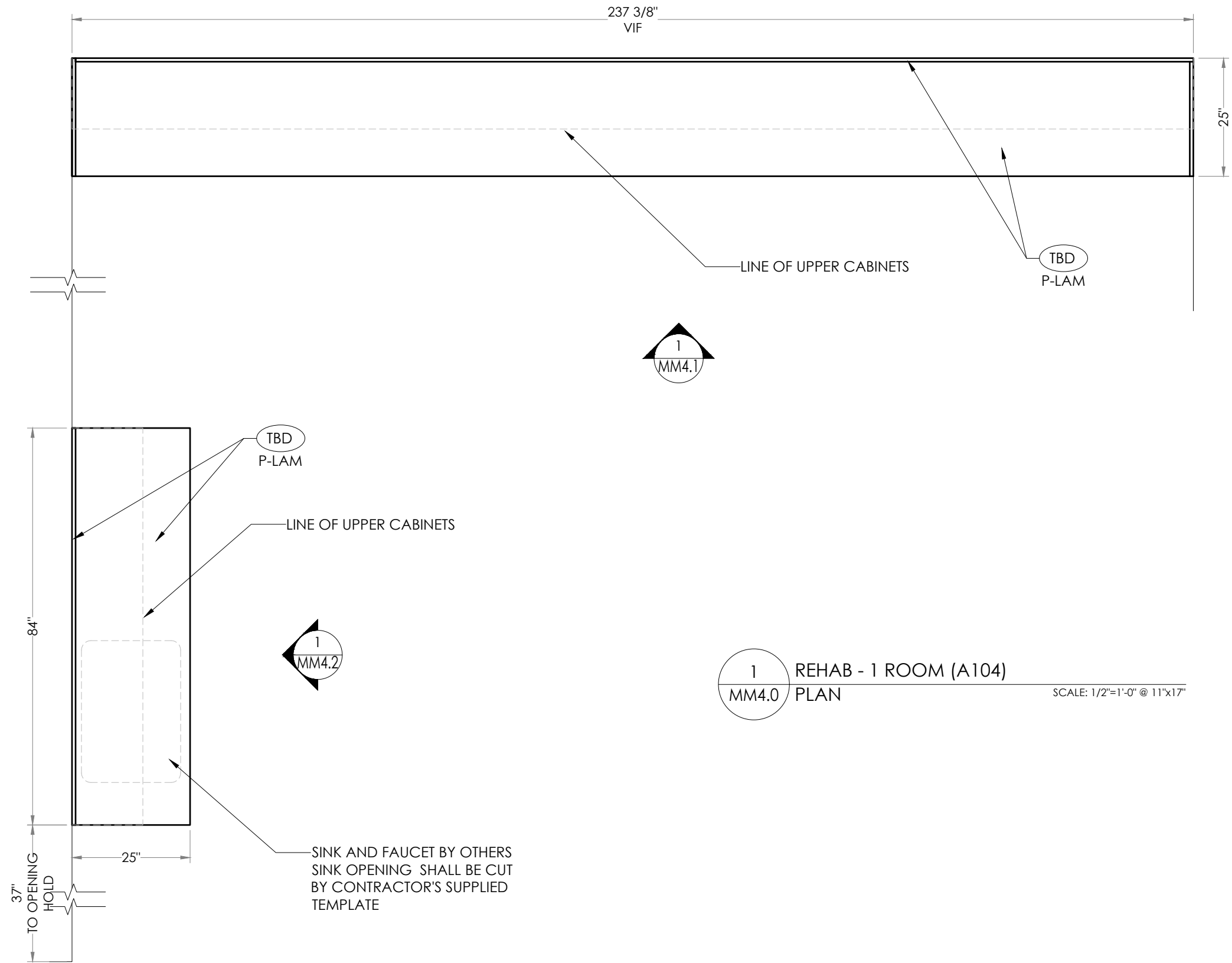
1 CORRIDOR - 1 ROOM (A112)  
 MM3.1 ELEVATION  
 SCALE: 3/4"=1'-0" @ 11"x17"

Date: **02/10/2021**  
 Rev/Date:

Project:  
 Parkway Health & Rehab  
 New Nursing Home Facility  
 230 River Oaks Dr.  
 Canton, MS 39046

Millwork manufacturer/Installer:  
 Drawn By: **GK**  
 Sheet title: **CORRIDOR - 1 ROOM (A112)**  
 ALL DIMENSIONS TO BE VIF PRIOR TO FABRICATION | ALL MATERIAL CONNECTIONS TBD IN SHOP TO BEST ACCOMMODATE SPECIFIC PIECE  
 Sheet #:

**MM3.1**



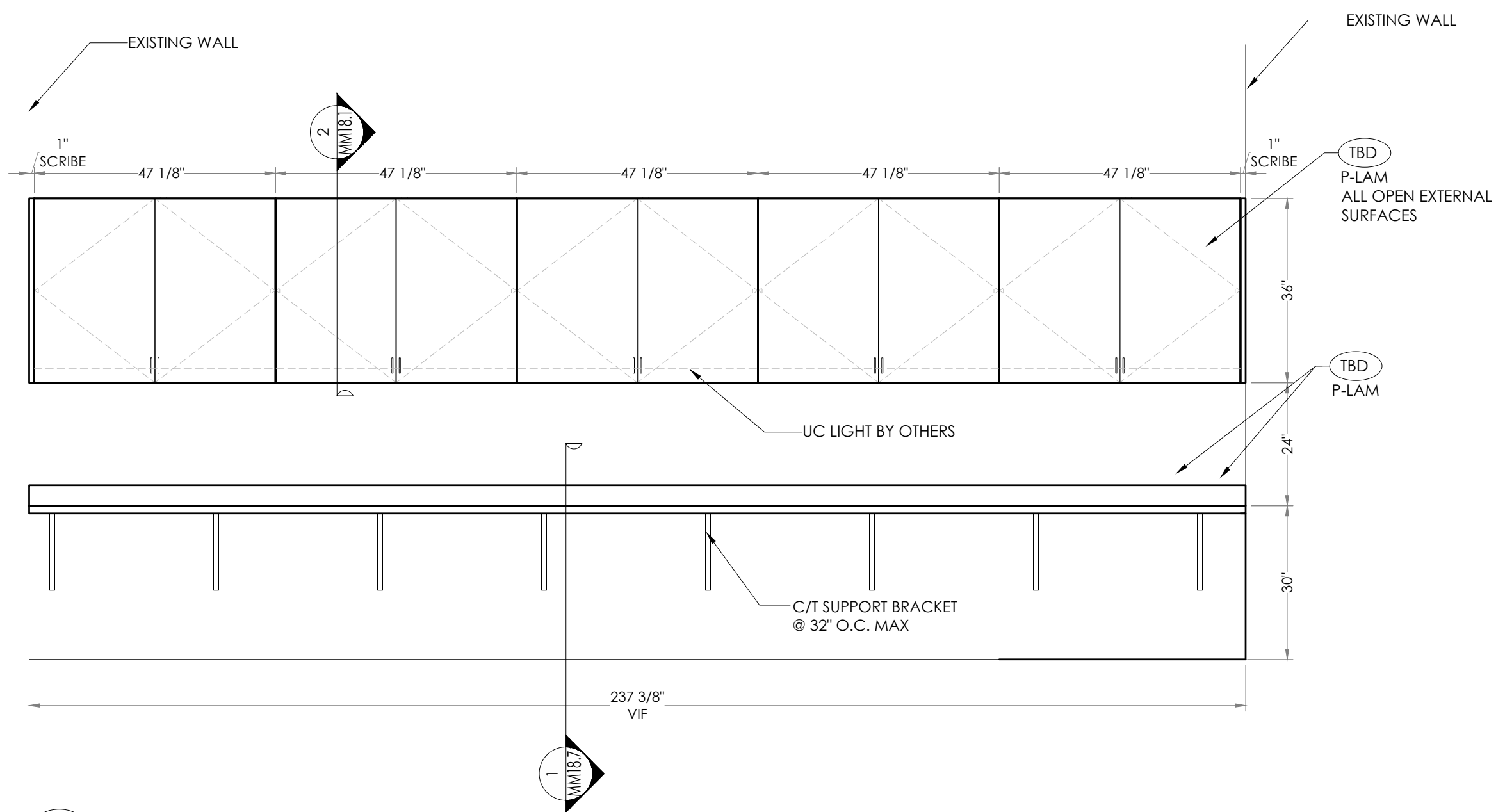
Date: **02/10/2021**  
 Rev/Date:

Project:  
 Parkway Health & Rehab  
 New Nursing Home Facility  
 230 River Oaks Dr.  
 Canton, MS 39046

Millwork manufacturer/Installer:  
 Sheet title: **REHAB - 1 ROOM (A104)**  
 Drawn By: **GK**  
 ALL DIMENSIONS TO BE VIF PRIOR TO FABRICATION | ALL MATERIAL CONNECTIONS TBD IN SHOP TO BEST ACCOMMODATE SPECIFIC PIECE

Sheet #:  
**MM4.0**

Project:  
 Parkway Health & Rehab  
 New Nursing Home Facility  
 230 River Oaks Dr.  
 Canton, MS 39046

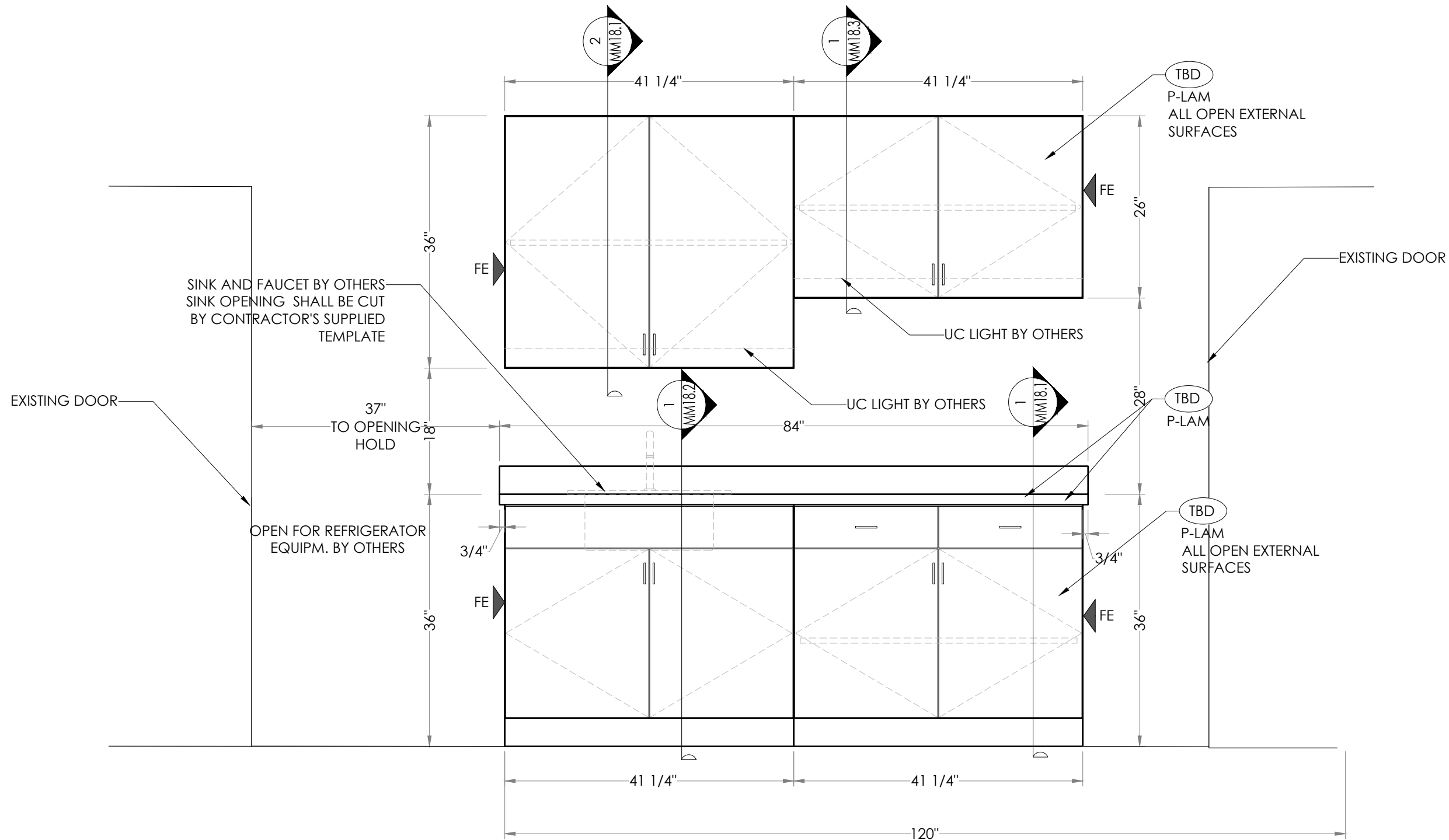


1 REHAB - 1 ROOM (A104)  
 MM4.1 ELEVATION  
 SCALE: 1/2"=1'-0" @ 11"x17"

Millwork manufacturer/Installer:

Sheet title:  
**REHAB - 1 ROOM (A104)**  
 ALL DIMENSIONS TO BE VIF PRIOR TO FABRICATION | ALL MATERIAL CONNECTIONS TBD IN SHOP TO BEST ACCOMMODATE SPECIFIC PIECE

Drawn By:  
**GK**



1 REHAB - 1 ROOM (A104)  
 MM4.2 ELEVATION

SCALE: 3/4"=1'-0" @ 11"x17"

Date: **02/10/2021**  
 Rev/Date:

Project:  
 Parkway Health & Rehab  
 New Nursing Home Facility  
 230 River Oaks Dr.  
 Canton, MS 39046

Millwork manufacturer/Installer:  
 Sheet title: **REHAB - 1 ROOM (A104)**  
 ALL DIMENSIONS TO BE VIF PRIOR TO FABRICATION | ALL MATERIAL CONNECTIONS TBD IN SHOP TO BEST ACCOMMODATE SPECIFIC PIECE  
 Drawn By: **GK**  
 Sheet #:

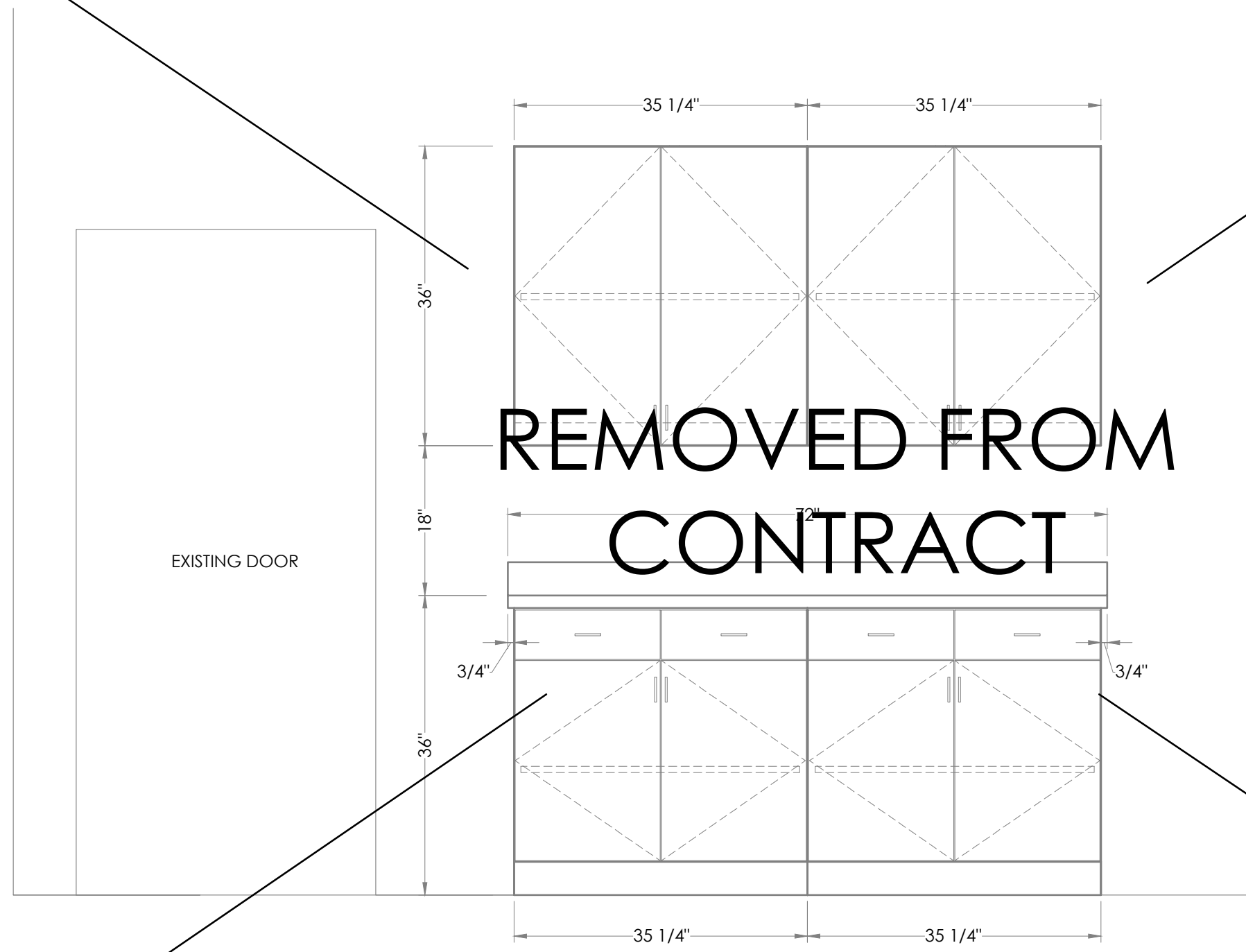
**MM4.2**

Date: **02/10/2021**  
Rev/Date:

Project:  
Parkway Health & Rehab  
New Nursing Home Facility  
230 River Oaks Dr.  
Canton, MS 39046

Millwork manufacturer/Installer:  
Sheet title:  
**VENDING - 1 ROOM (A115)**  
ALL DIMENSIONS TO BE VIF PRIOR TO FABRICATION | ALL MATERIAL CONNECTIONS TBD IN SHOP TO BEST ACCOMMODATE SPECIFIC PIECE

Sheet #:  
**MM5.0**

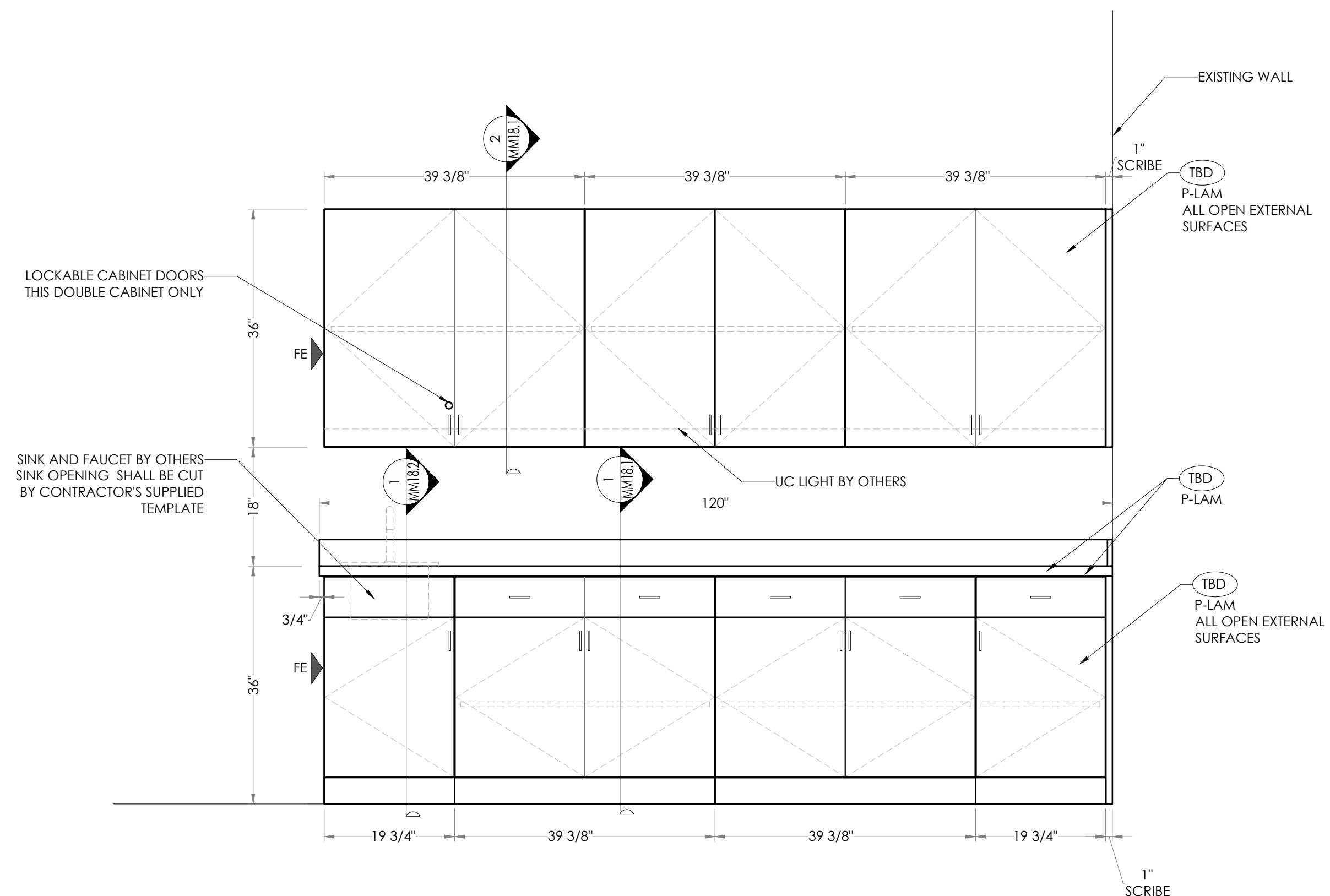


**1** **VENDING - 1 ROOM (A115)**  
**MM5.0** **ELEVATION** SCALE: 3/4"=1'-0" @ 11"x17"

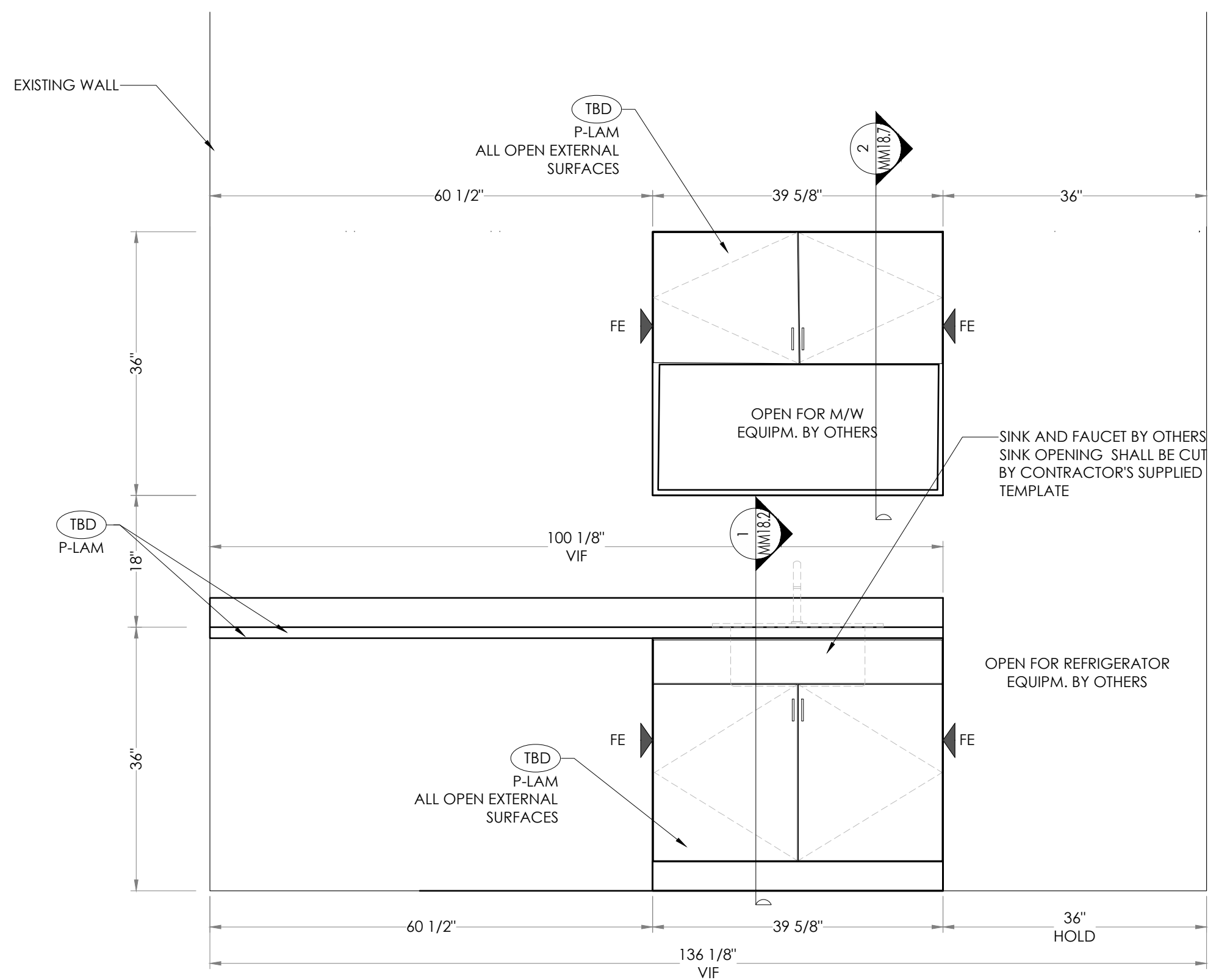
Project:  
**Parkway Health & Rehab**  
**New Nursing Home Facility**  
 230 River Oaks Dr.  
 Canton, MS 39046

Millwork manufacturer/Installer:  
 Drawn By: **GK**  
 Sheet title: **SALON - 1 ROOM (C101)**  
 ALL DIMENSIONS TO BE VIF PRIOR TO FABRICATION | ALL MATERIAL CONNECTIONS TBD IN SHOP TO BEST ACCOMMODATE SPECIFIC PIECE

Sheet #:  
**MM6.0**



1 SALON - 1 ROOM (C101)  
 MM6.0 ELEVATION  
 SCALE: 3/4"=1'-0" @ 11"x17"



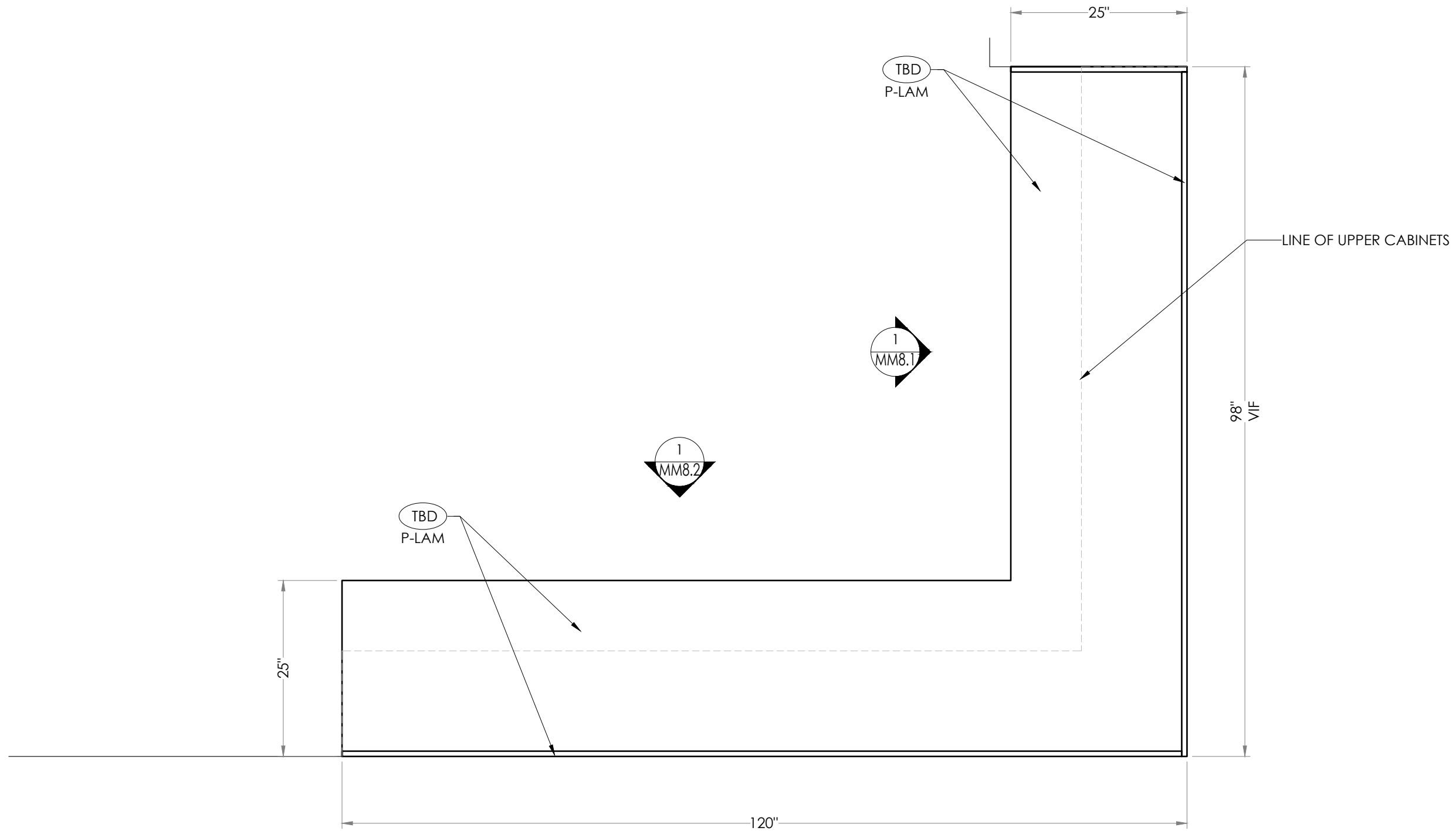
1 BREAK ROOM - 1 ROOM (C100)  
 MM7.0 ELEVATION  
 SCALE: 3/4"=1'-0" @ 11"x17"



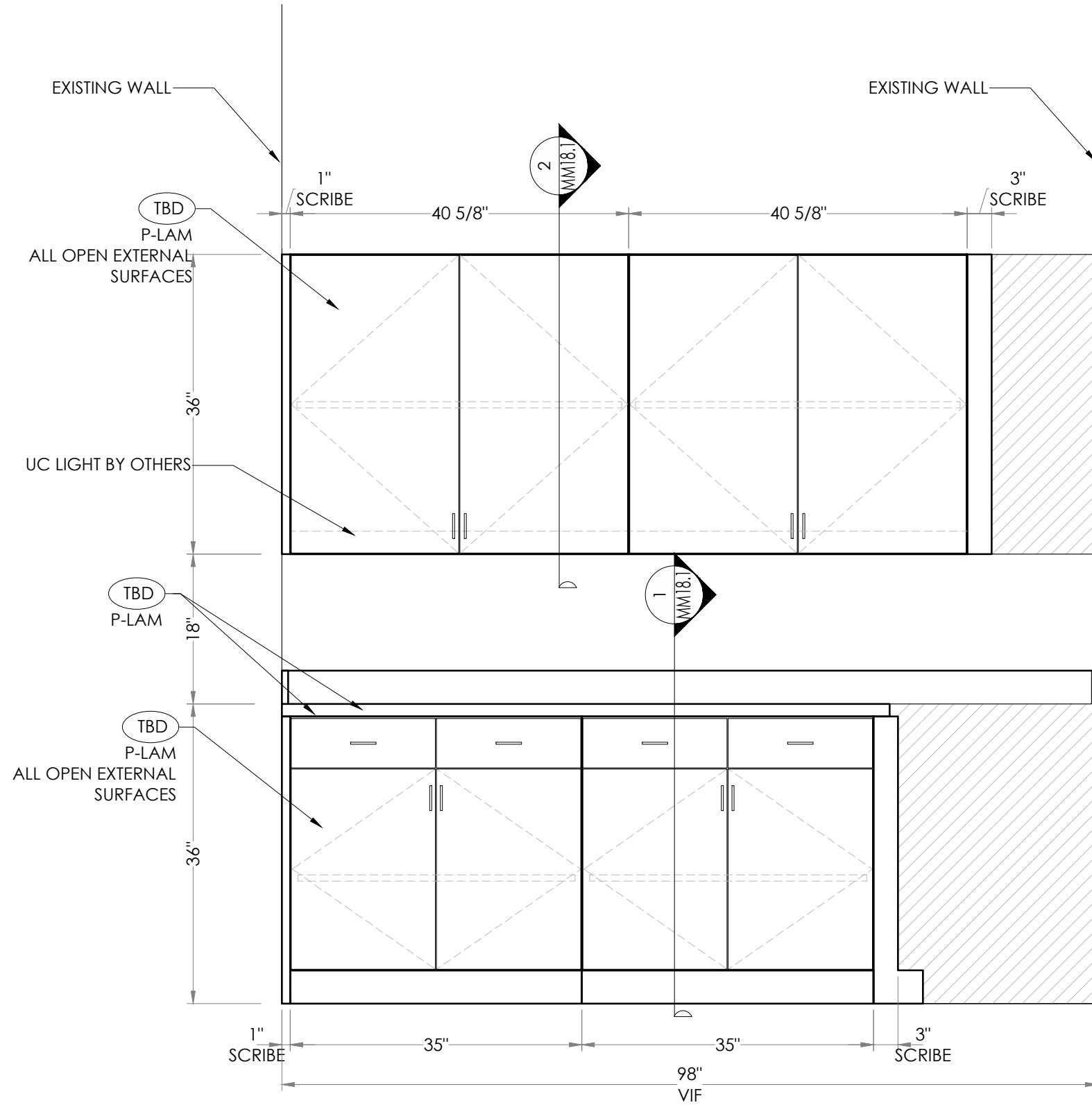
Project:  
 Parkway Health & Rehab  
 New Nursing Home Facility  
 230 River Oaks Dr.  
 Canton, MS 39046

Millwork manufacturer/Installer:  
 Sheet title:  
**DRUG - 1 ROOM (C107)**  
 ALL DIMENSIONS TO BE VIF PRIOR TO FABRICATION | ALL MATERIAL CONNECTIONS TBD IN SHOP TO BEST ACCOMMODATE SPECIFIC PIECE

Sheet #:  
**MM8.0**



1 DRUG - 1 ROOM (C107)  
 MM8.0 PLAN SCALE: 3/4"=1'-0" @ 11"x17"



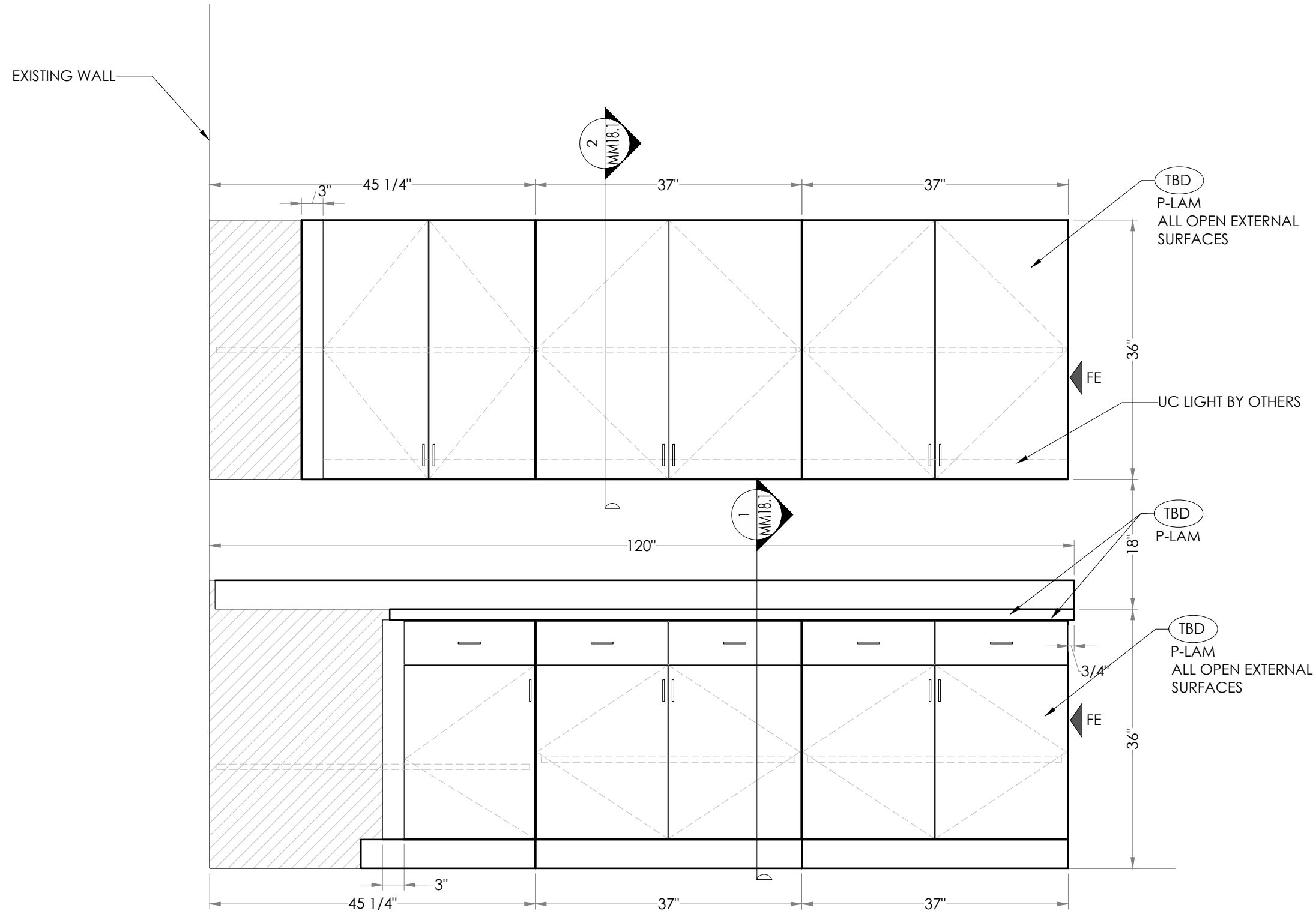
1 DRUG - 1 ROOM (C107)  
 MM8.1 ELEVATION  
 SCALE: 3/4"=1'-0" @ 11"x17"

Date: **02/10/2021**  
 Rev/Date:

Project:  
 Parkway Health & Rehab  
 New Nursing Home Facility  
 230 River Oaks Dr.  
 Canton, MS 39046

Millwork manufacturer/Installer:  
 Sheet title: **DRUG - 1 ROOM (C107)**  
 Drawn By: **GK**  
 ALL DIMENSIONS TO BE VIF PRIOR TO FABRICATION | ALL MATERIAL CONNECTIONS TBD IN SHOP TO BEST ACCOMMODATE SPECIFIC PIECE

Sheet #:  
**MM8.1**



1 DRUG - 1 ROOM (C107)  
 MM8.2 ELEVATION  
 SCALE: 3/4"=1'-0" @ 11"x17"

Date: **02/10/2021**

Rev/Date:

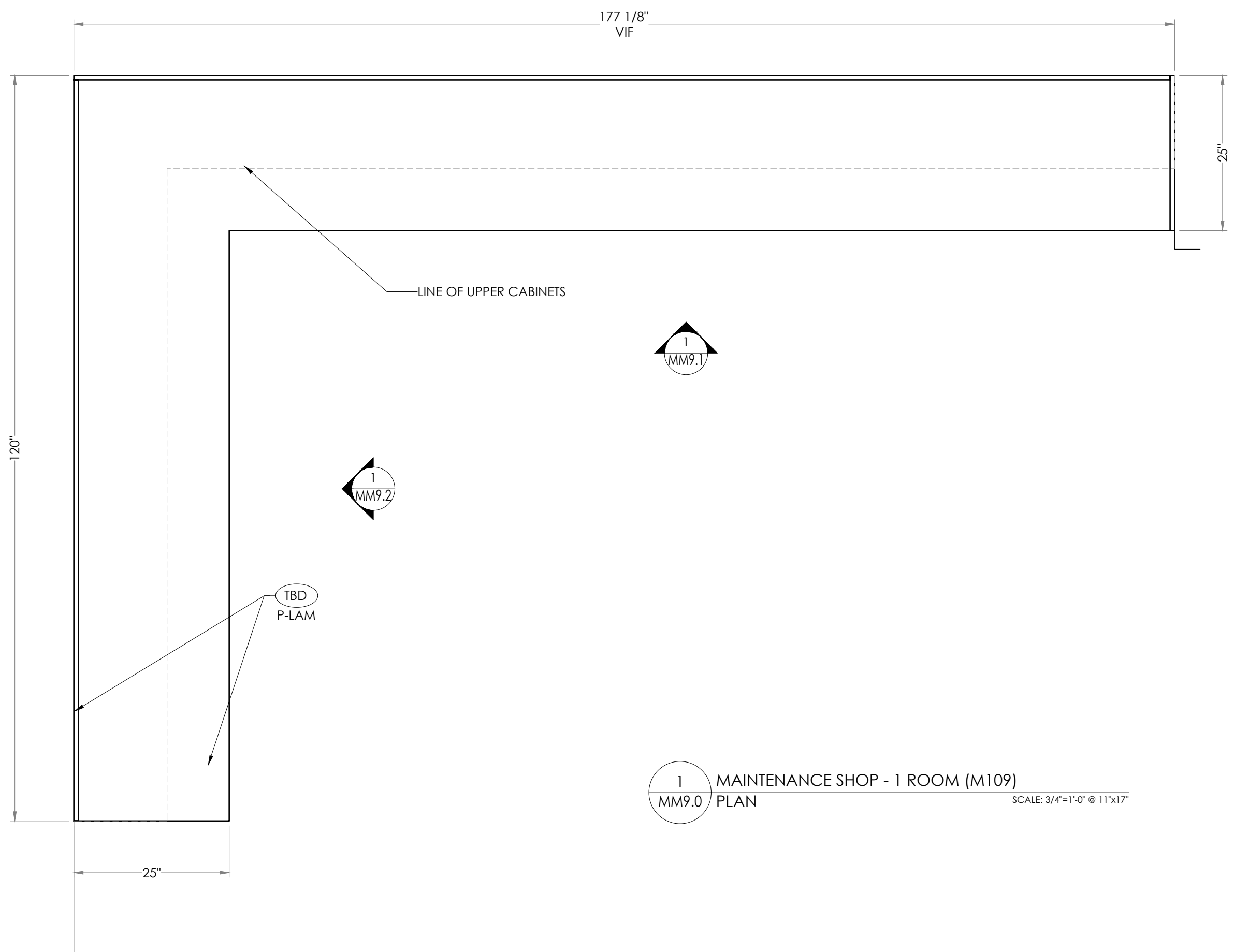
Project:  
 Parkway Health & Rehab  
 New Nursing Home Facility  
 230 River Oaks Dr.  
 Canton, MS 39046

Millwork manufacturer/installer:  
 Drawn By: **GK**  
 Sheet title: **DRUG - 1 ROOM (C107)**  
 ALL DIMENSIONS TO BE VIF PRIOR TO FABRICATION | ALL MATERIAL CONNECTIONS TBD IN SHOP TO BEST ACCOMMODATE SPECIFIC PIECE

Sheet #:  
**MM8.2**

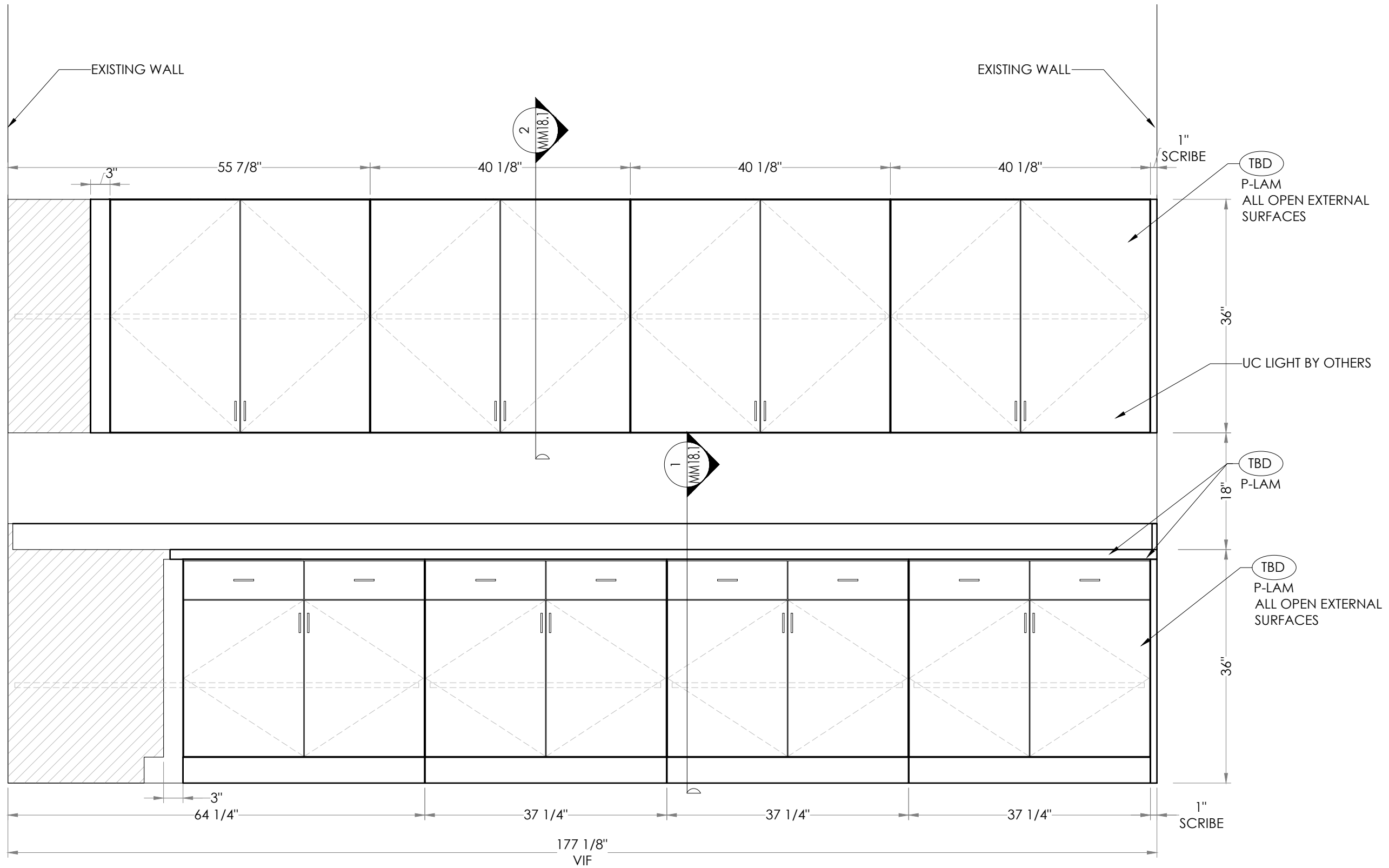
Project:  
 Parkway Health & Rehab  
 New Nursing Home Facility  
 230 River Oaks Dr.  
 Canton, MS 39046

Millwork manufacturer/Installer:	Drawn By: <b>GK</b>
Sheet title:	<b>MAINTENANCE SHOP - 1 ROOM (M109)</b>
Sheet #:	ALL DIMENSIONS TO BE VIF PRIOR TO FABRICATION   ALL MATERIAL CONNECTIONS TBD IN SHOP TO BEST ACCOMMODATE SPECIFIC PIECE

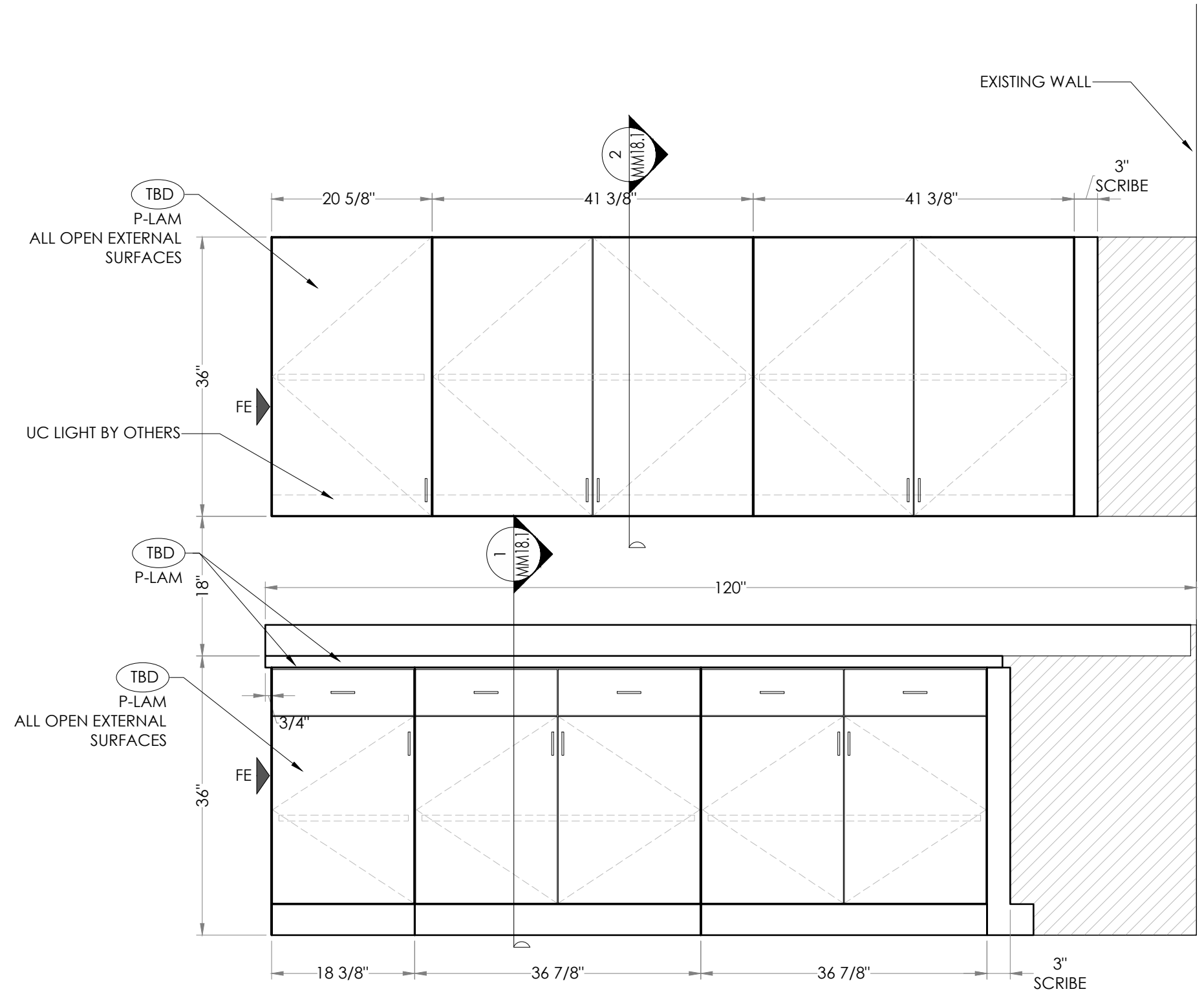


Project:  
 Parkway Health & Rehab  
 New Nursing Home Facility  
 230 River Oaks Dr.  
 Canton, MS 39046

Millwork manufacturer/Installer:  
 Drawn By: **GK**  
**MAINTENANCE SHOP - 1 ROOM (M109)**  
 ALL DIMENSIONS TO BE VIF PRIOR TO FABRICATION | ALL MATERIAL CONNECTIONS TBD IN SHOP TO BEST ACCOMMODATE SPECIFIC PIECE



**1** MAINTENANCE SHOP - 1 ROOM (M109)  
 MM9.1 ELEVATION  
 SCALE: 3/4"=1'-0" @ 11"x17"



1 MAINTENANCE SHOP - 1 ROOM (M109)  
 MM9.2 ELEVATION SCALE: 3/4"=1'-0" @ 11"x17"

Date: **02/10/2021**  
 Rev/Date:

Project:  
 Parkway Health & Rehab  
 New Nursing Home Facility  
 230 River Oaks Dr.  
 Canton, MS 39046

Millwork manufacturer/Installer:  
 Drawn By: **GK**  
 Sheet title: **MAINTENANCE SHOP - 1 ROOM (M109)**  
 ALL DIMENSIONS TO BE VIF PRIOR TO FABRICATION | ALL MATERIAL CONNECTIONS TBD IN SHOP TO BEST ACCOMMODATE SPECIFIC PIECE

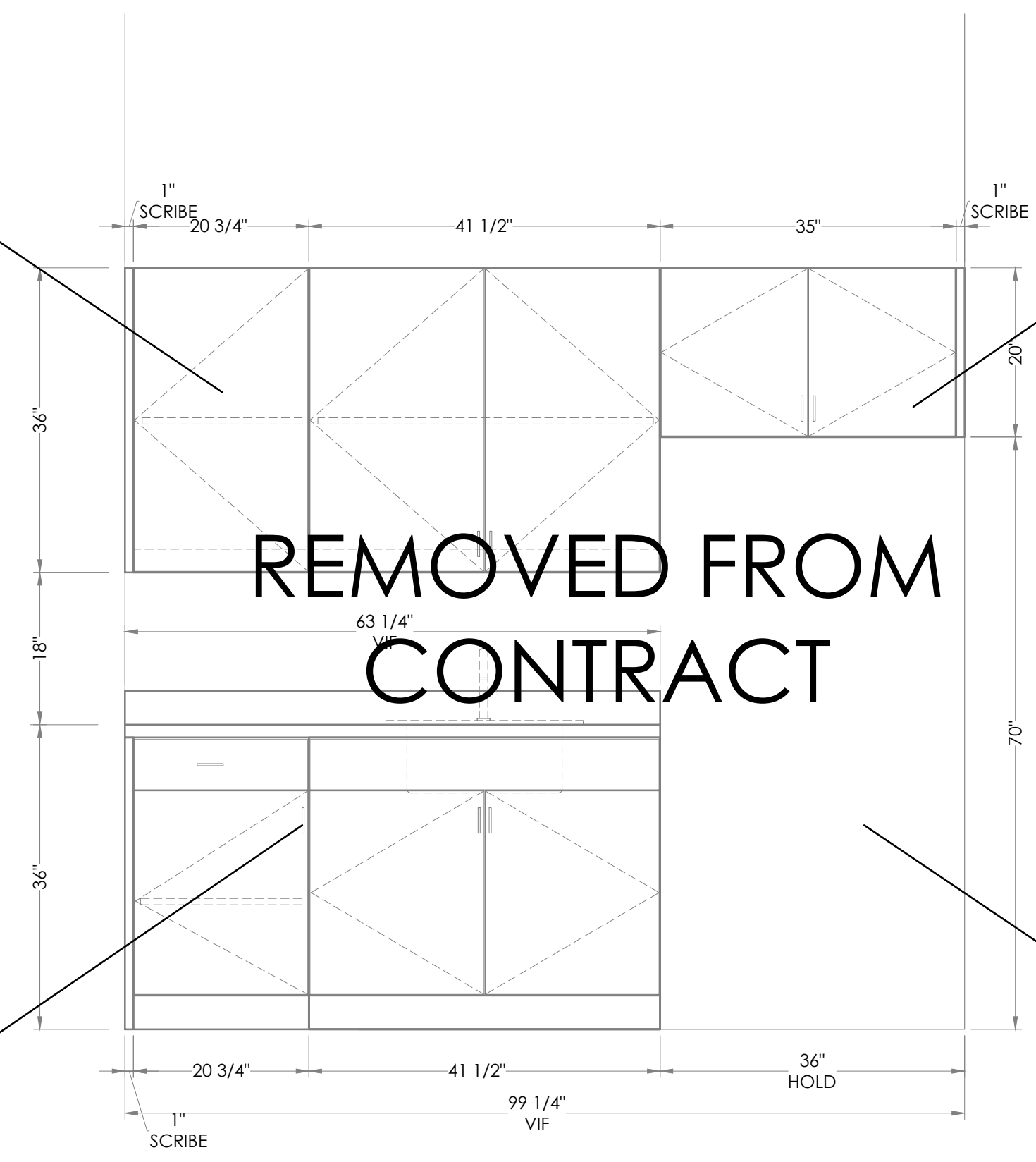
Sheet #:  
**MM9.2**

Date: **02/10/2021**  
Rev/Date:

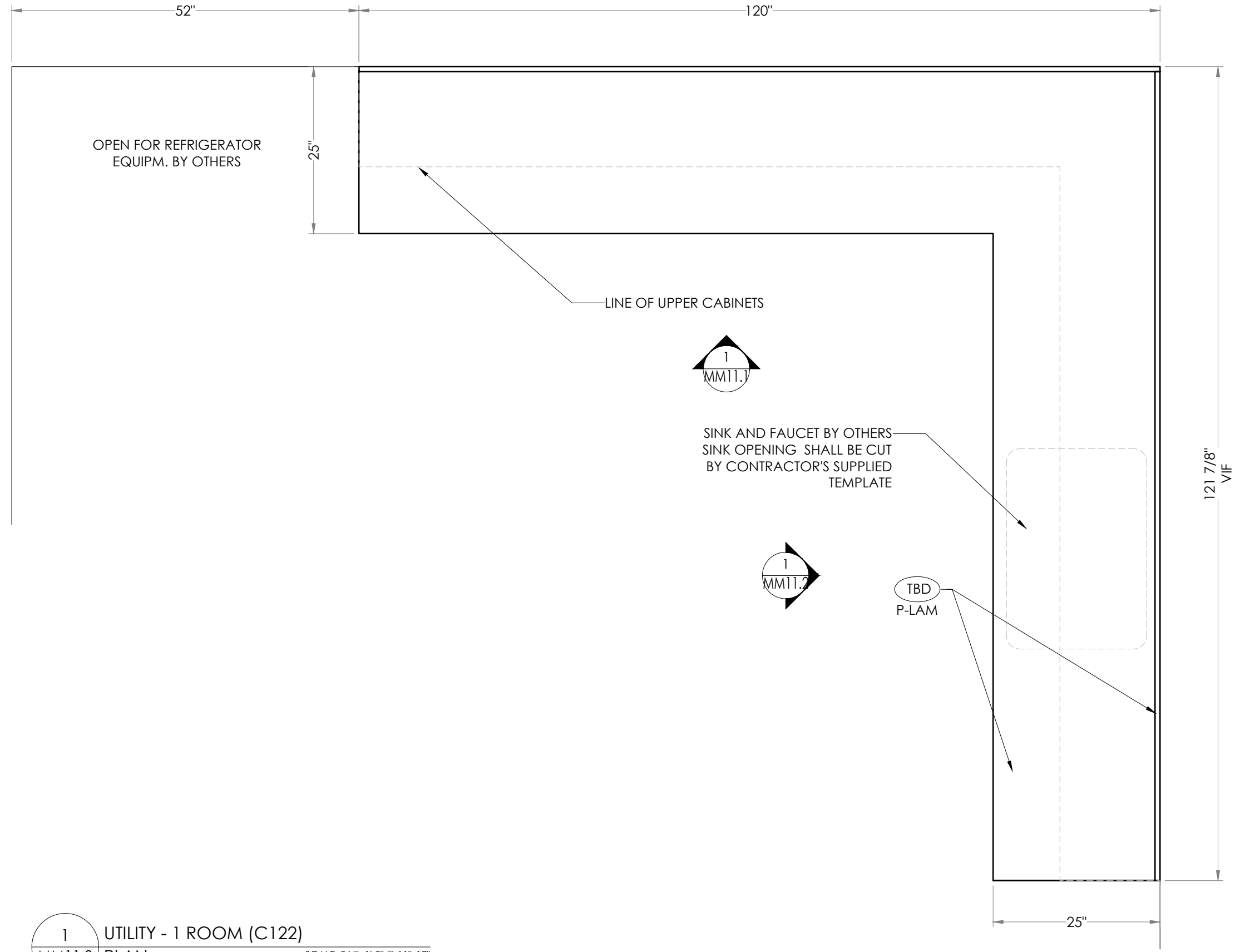
Project:  
Parkway Health & Rehab  
New Nursing Home Facility  
230 River Oaks Dr.  
Canton, MS 39046

Millwork manufacturer/Installer:  
Sheet title: **SOILED LINEN - 1 ROOM (C123)**  
Drawn By: **GK**  
ALL DIMENSIONS TO BE VIF PRIOR TO FABRICATION | ALL MATERIAL CONNECTIONS TBD IN SHOP TO BEST ACCOMMODATE SPECIFIC PIECE

Sheet #:  
**MM10.0**



**1** SOILED LINEN - 1 ROOM (C123)  
MM10.0 ELEVATION SCALE: 3/4"=1'-0" @ 11"x17"



1 UTILITY - 1 ROOM (C122)  
 MM11.0 PLAN SCALE: 3/4"=1'-0" @ 11"x17"

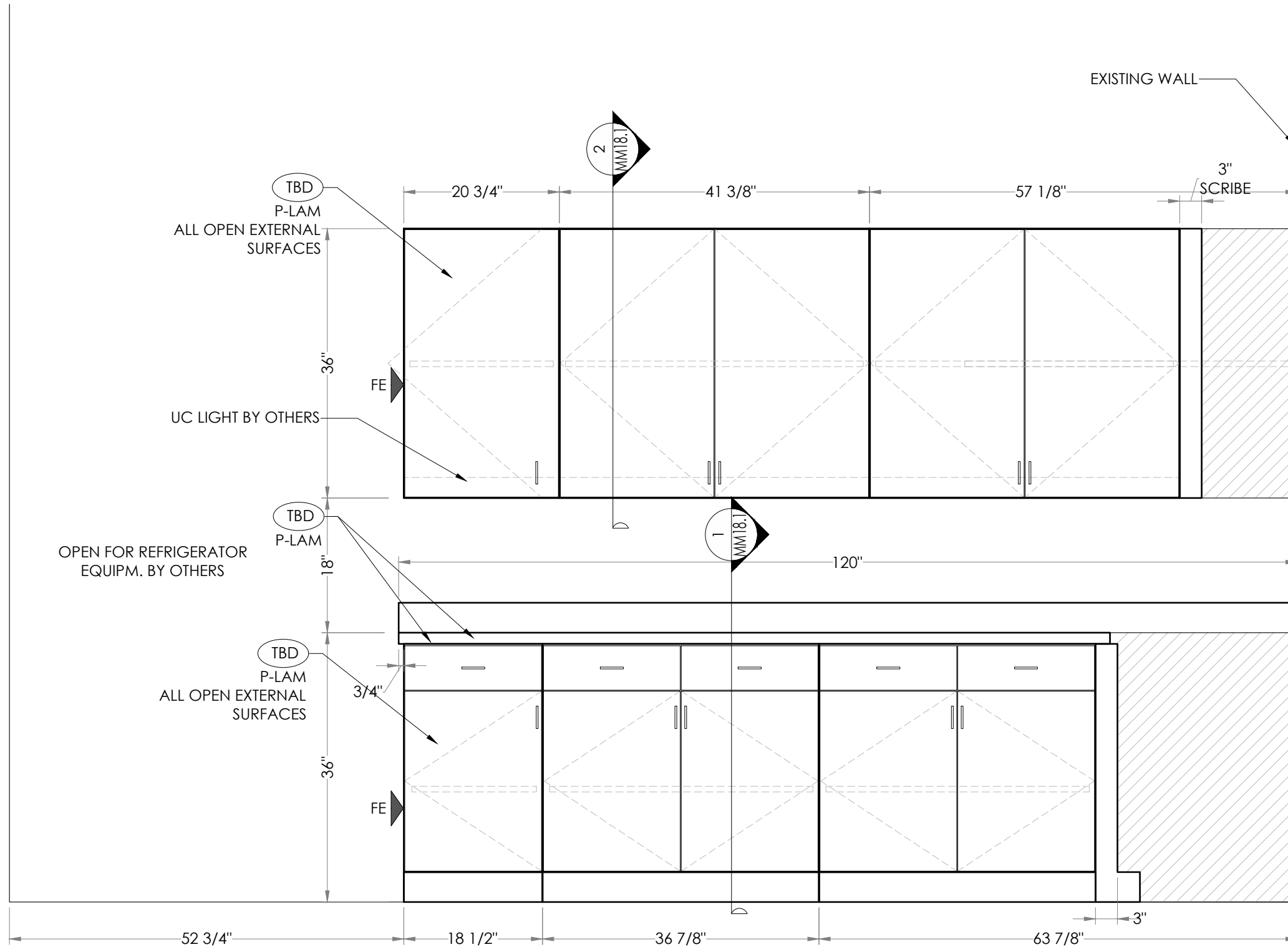
Date: **02/10/2021**  
 Rev/Date:

Project:  
 Parkway Health & Rehab  
 New Nursing Home Facility  
 230 River Oaks Dr.  
 Canton, MS 39046

Millwork manufacturer/Installer:  
 Sheet title: **UTILITY - 1 ROOM (C122)**  
 ALL DIMENSIONS TO BE VIF PRIOR TO FABRICATION | ALL MATERIAL CONNECTIONS TBD IN SHOP TO BEST ACCOMMODATE SPECIFIC PIECE  
 Drawn By: **GK**  
 Sheet #:

**MM11.0**





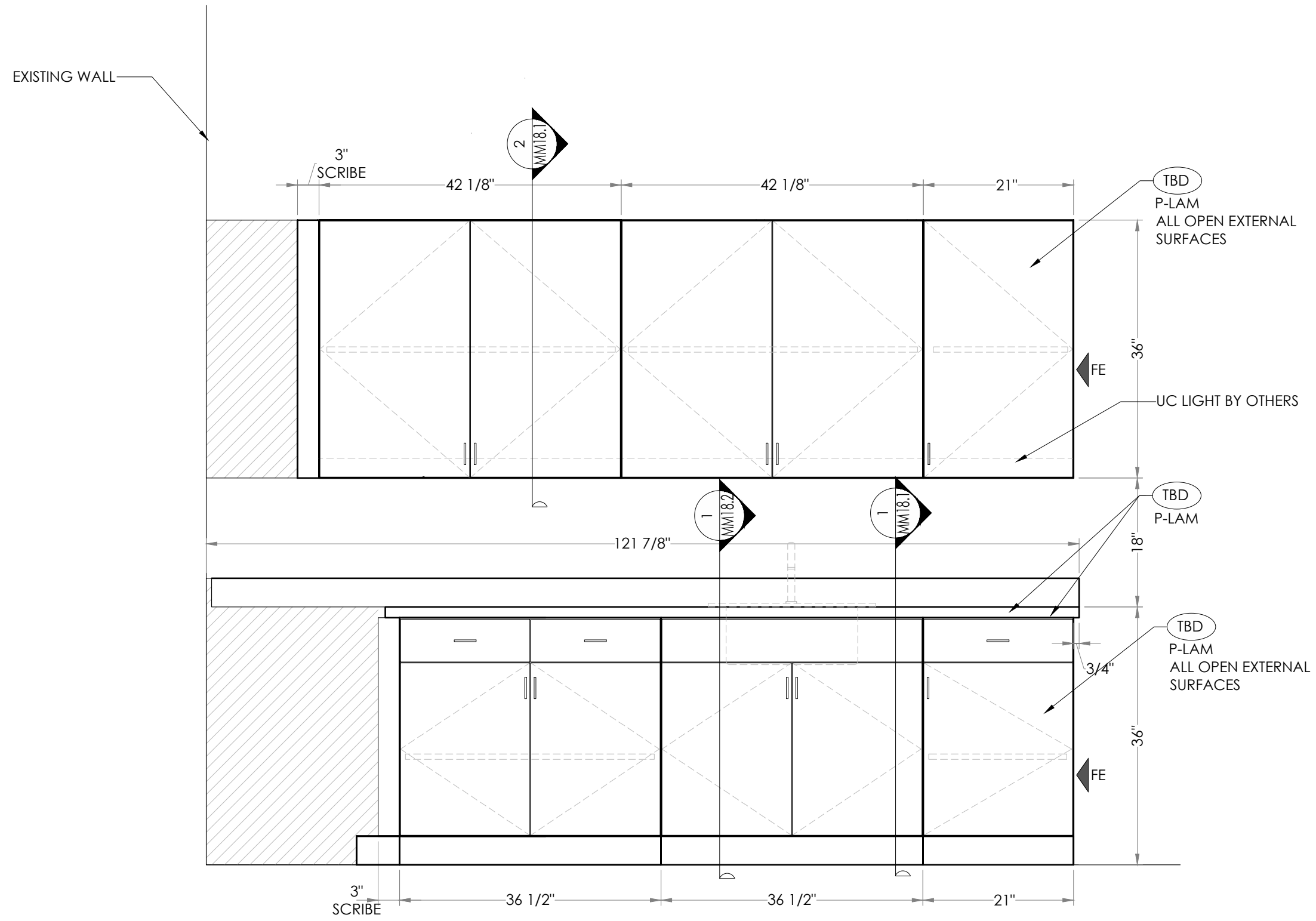
1 UTILITY - 1 ROOM (C122)  
 MM11.1 ELEVATION SCALE: 3/4"=1'-0" @ 11"x17"

Date: **02/10/2021**  
 Rev/Date:

Project:  
 Parkway Health & Rehab  
 New Nursing Home Facility  
 230 River Oaks Dr.  
 Canton, MS 39046

Millwork manufacturer/Installer:  
 Sheet title: **UTILITY - 1 ROOM (C122)**  
 ALL DIMENSIONS TO BE VIF PRIOR TO FABRICATION | ALL MATERIAL CONNECTIONS TBD IN SHOP TO BEST ACCOMMODATE SPECIFIC PIECE  
 Drawn By: **GK**  
 Sheet #:

**MM11.1**



1 UTILITY - 1 ROOM (C122)  
 MM11.2 ELEVATION SCALE: 3/4"=1'-0" @ 11"x17"

REMOVED FROM  
CONTRACT



1 TYP. BEDROOM/BATH - 87 ROOMS, 174 UNITS  
MM12.0 ELEVATION

SCALE: 1"=1'-0" @ 11"x17"

Date: 02/10/2021

Rev/Date:

Project:

Parkway Health & Rehab  
New Nursing Home Facility  
230 River Oaks Dr.  
Canton, MS 39046

Millwork manufacturer/Installer:

Drawn By:

GK

Sheet #:

MM12.0

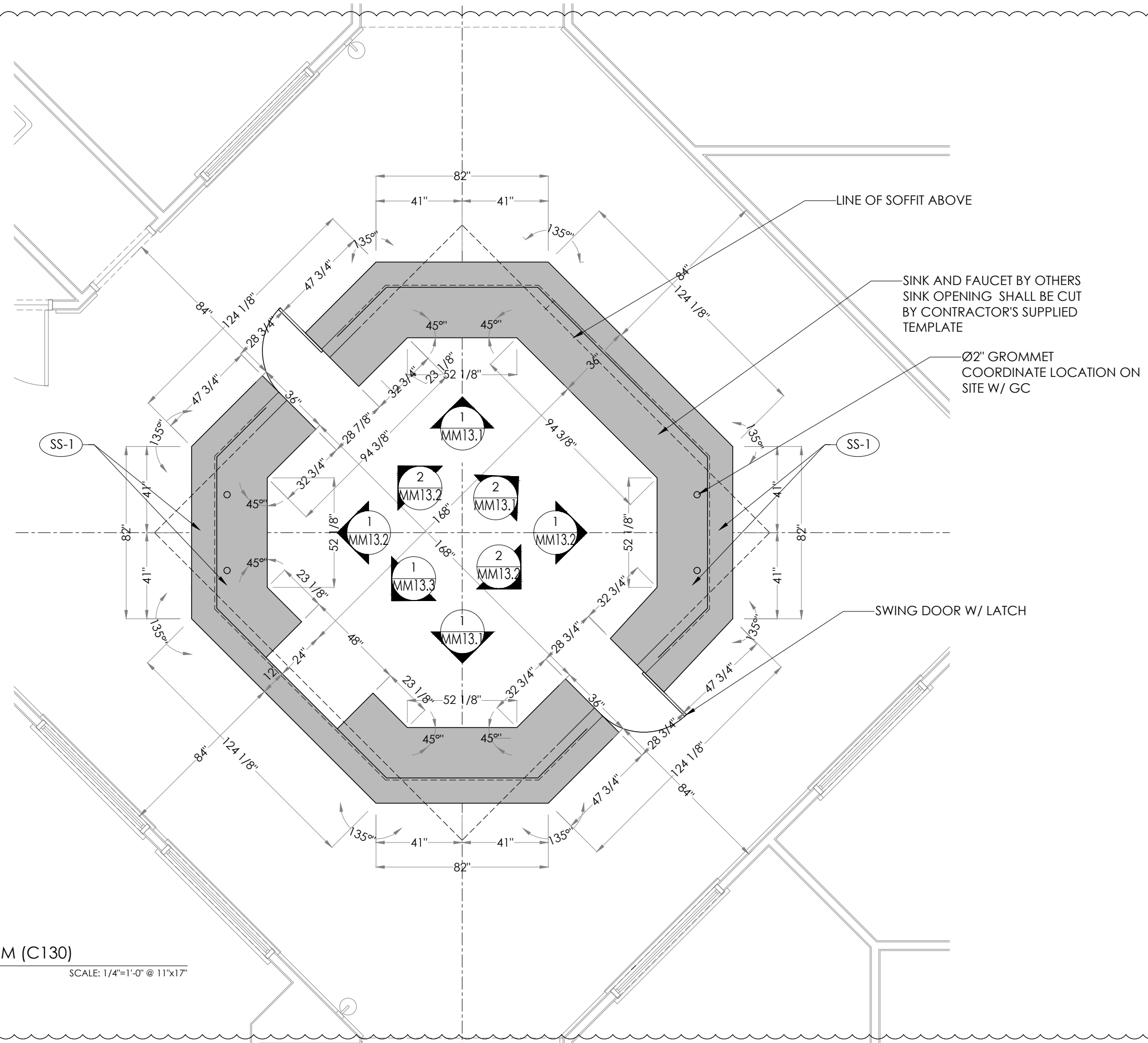
TYP. BEDROOM/BATH - 87 ROOMS, 174 UNITS

ALL DIMENSIONS TO BE VIF PRIOR TO FABRICATION | ALL MATERIAL CONNECTIONS TBD IN SHOP TO BEST ACCOMMODATE SPECIFIC PIECE

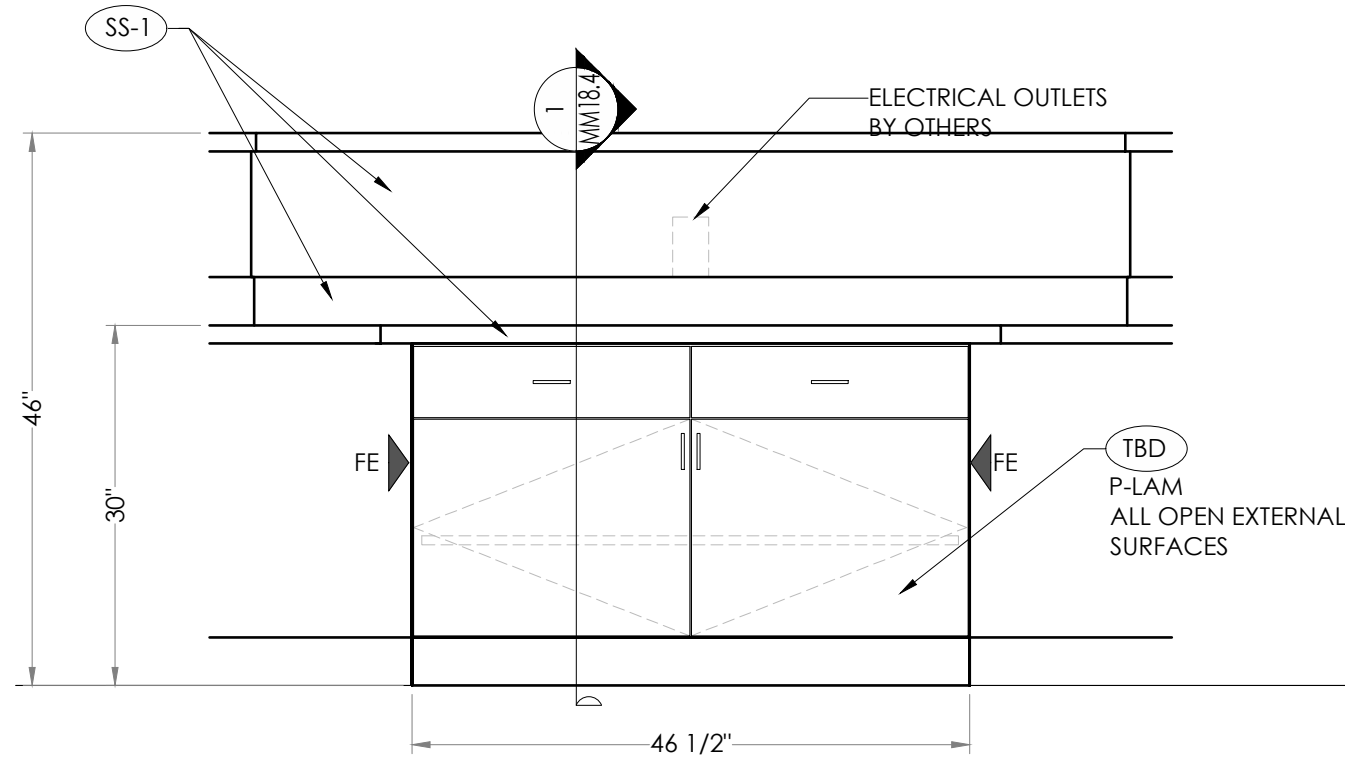
Project:  
 Parkway Health & Rehab  
 New Nursing Home Facility  
 230 River Oaks Dr.  
 Canton, MS 39046

Millwork manufacturer/Installer:  
 Sheet title:  
**NURSE STATION - 1 ROOM (C130)**  
 ALL DIMENSIONS TO BE VIF PRIOR TO FABRICATION | ALL MATERIAL CONNECTIONS TBD IN SHOP TO BEST ACCOMMODATE SPECIFIC PIECE  
 Drawn By: **GK**  
 Sheet #:

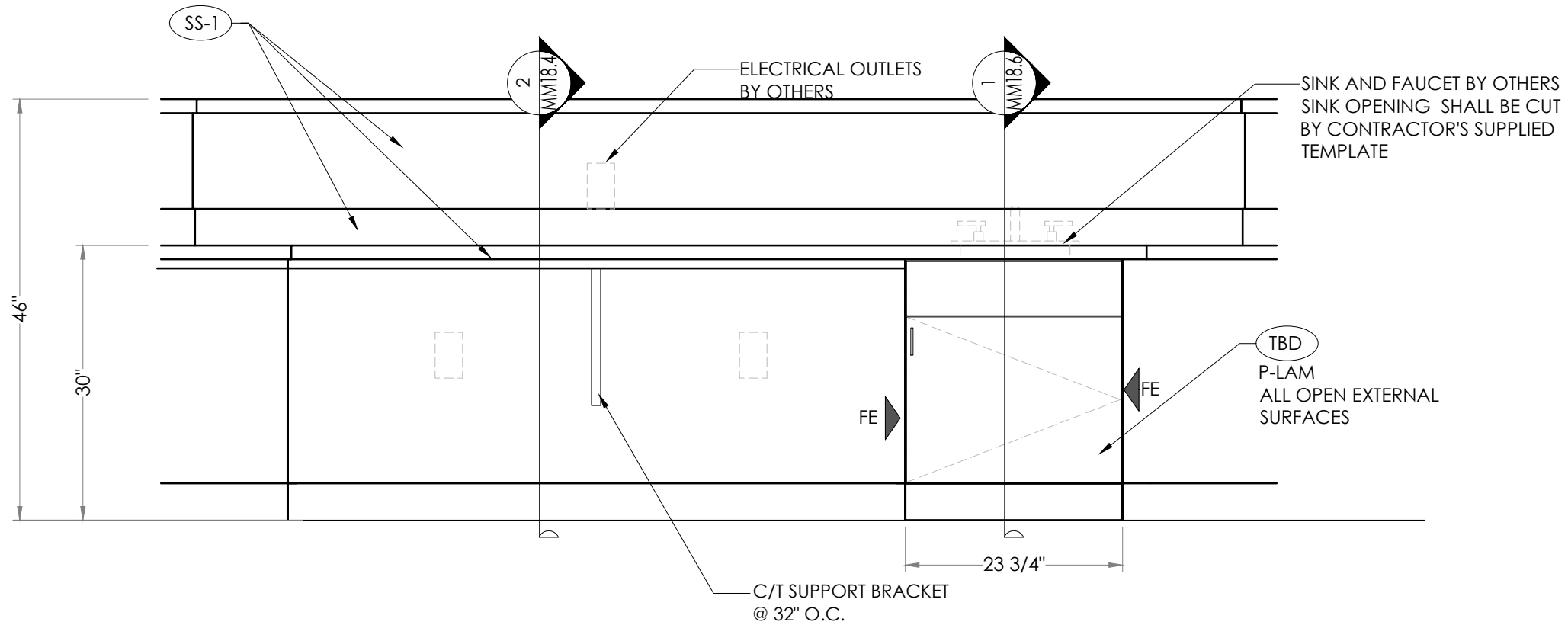
**MM13.0**



**1** NURSE STATION - 1 ROOM (C130)  
 MM13.0 PLAN  
 SCALE: 1/4"=1'-0" @ 11"x17"



1 NURSE STATION - 1 ROOM (C130)  
MM13.1 ELEVATION SCALE: 3/4"=1'-0" @ 11"x17"



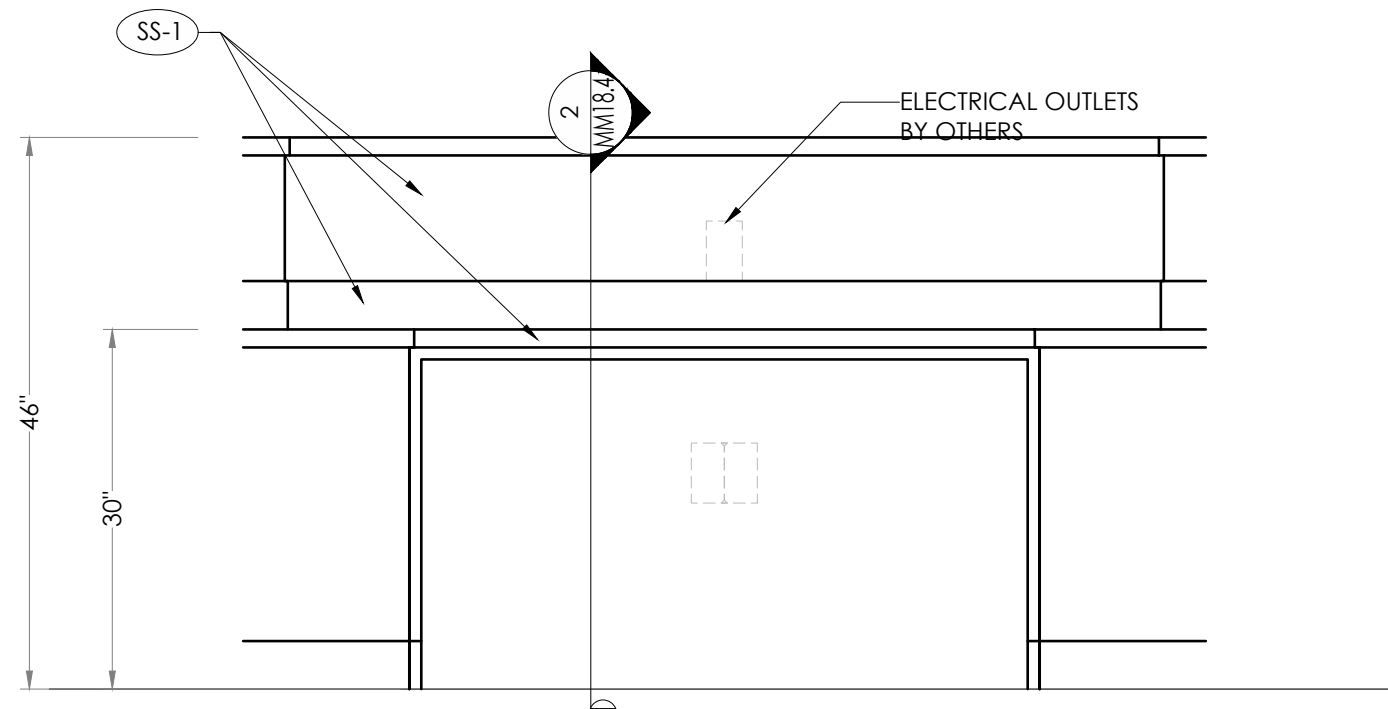
2 NURSE STATION - 1 ROOM (C130)  
MM13.1 ELEVATION SCALE: 3/4"=1'-0" @ 11"x17"

Date: **02/10/2021**  
Rev/Date:

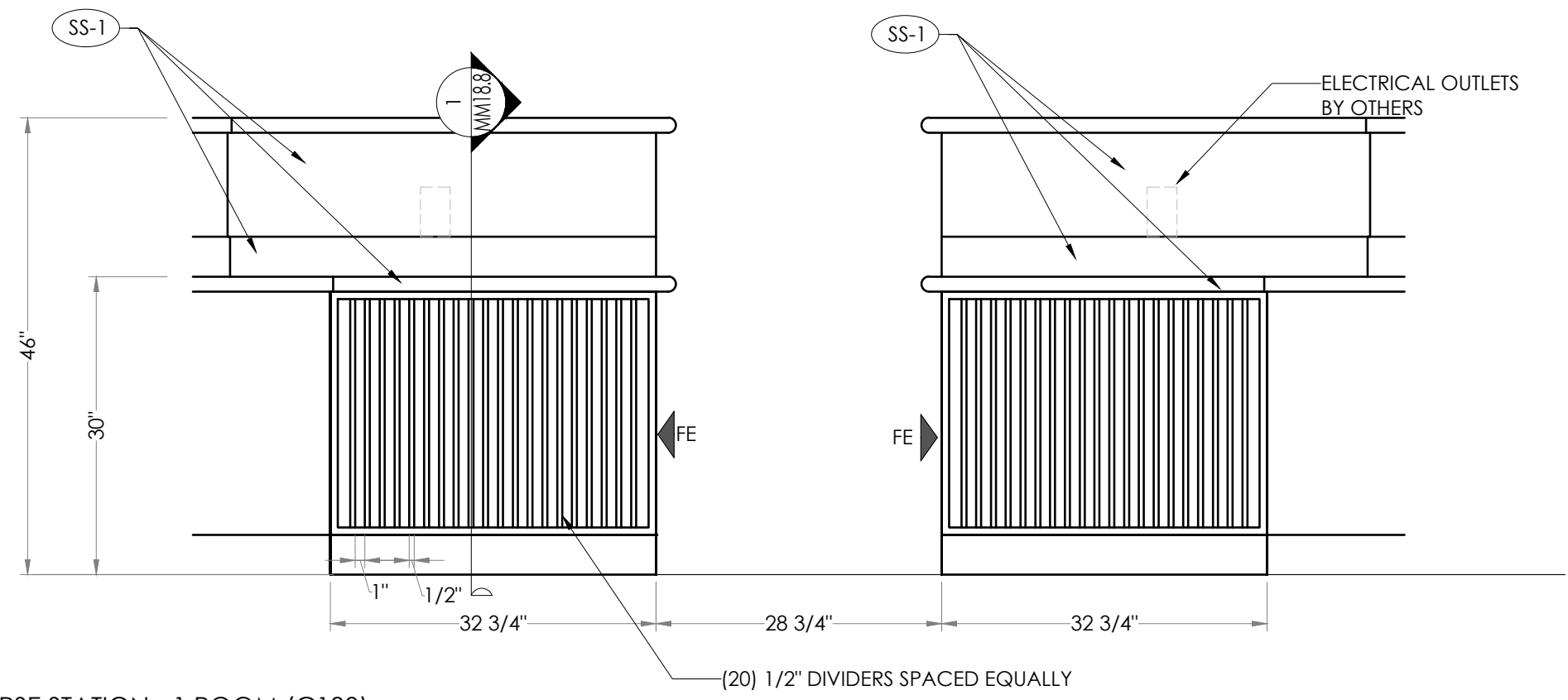
Project:  
Parkway Health & Rehab  
New Nursing Home Facility  
230 River Oaks Dr.  
Canton, MS 39046

Millwork manufacturer/Installer:  
Sheet title: **NURSE STATION - 1 ROOM (C130)**  
Drawn By: **GK**  
ALL DIMENSIONS TO BE VIF PRIOR TO FABRICATION | ALL MATERIAL CONNECTIONS TBD IN SHOP TO BEST ACCOMMODATE SPECIFIC PIECE

Sheet #: **MM13.1**



1 NURSE STATION - 1 ROOM (C130)  
 MM13.2 ELEVATION SCALE: 3/4"=1'-0" @ 11"x17"



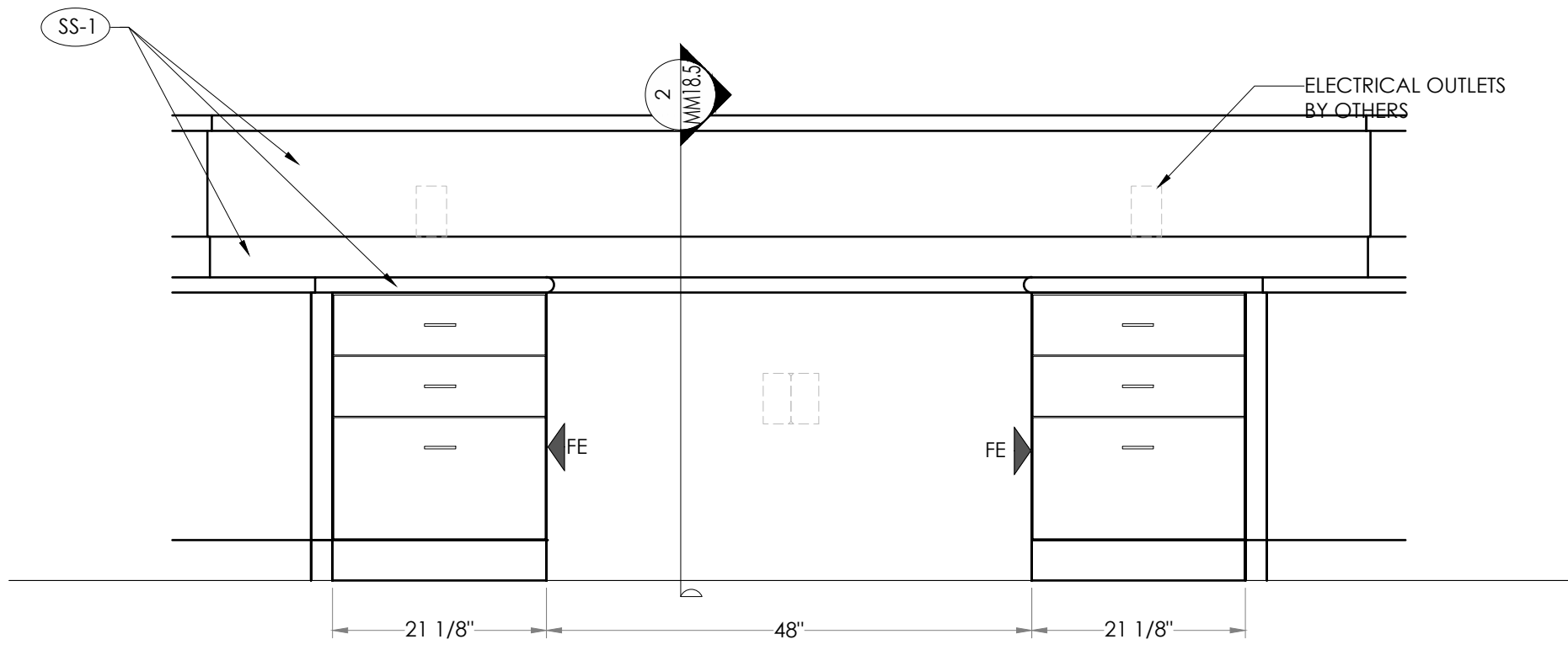
2 NURSE STATION - 1 ROOM (C130)  
 MM13.2 ELEVATION SCALE: 3/4"=1'-0" @ 11"x17"

Date: **02/10/2021**  
 Rev/Date:

Project:  
 Parkway Health & Rehab  
 New Nursing Home Facility  
 230 River Oaks Dr.  
 Canton, MS 39046

Millwork manufacturer/installer:  
 Sheet title: **NURSE STATION - 1 ROOM (C130)**  
 ALL DIMENSIONS TO BE VIF PRIOR TO FABRICATION | ALL MATERIAL CONNECTIONS TBD IN SHOP TO BEST ACCOMMODATE SPECIFIC PIECE  
 Drawn By: **GK**  
 Sheet #:

**MM13.2**



1 NURSE STATION - 1 ROOM (C130)  
 MM13.3 ELEVATION SCALE: 3/4"=1'-0" @ 11"x17"

Date: **02/10/2021**  
 Rev/Date:

Project:  
 Parkway Health & Rehab  
 New Nursing Home Facility  
 230 River Oaks Dr.  
 Canton, MS 39046

Millwork manufacturer/Installer:  
 Sheet title: **NURSE STATION - 1 ROOM (C130)**  
 Drawn By: **GK**  
 ALL DIMENSIONS TO BE VIF PRIOR TO FABRICATION | ALL MATERIAL CONNECTIONS TBD IN SHOP TO BEST ACCOMMODATE SPECIFIC PIECE

Sheet #:  
**MM13.3**

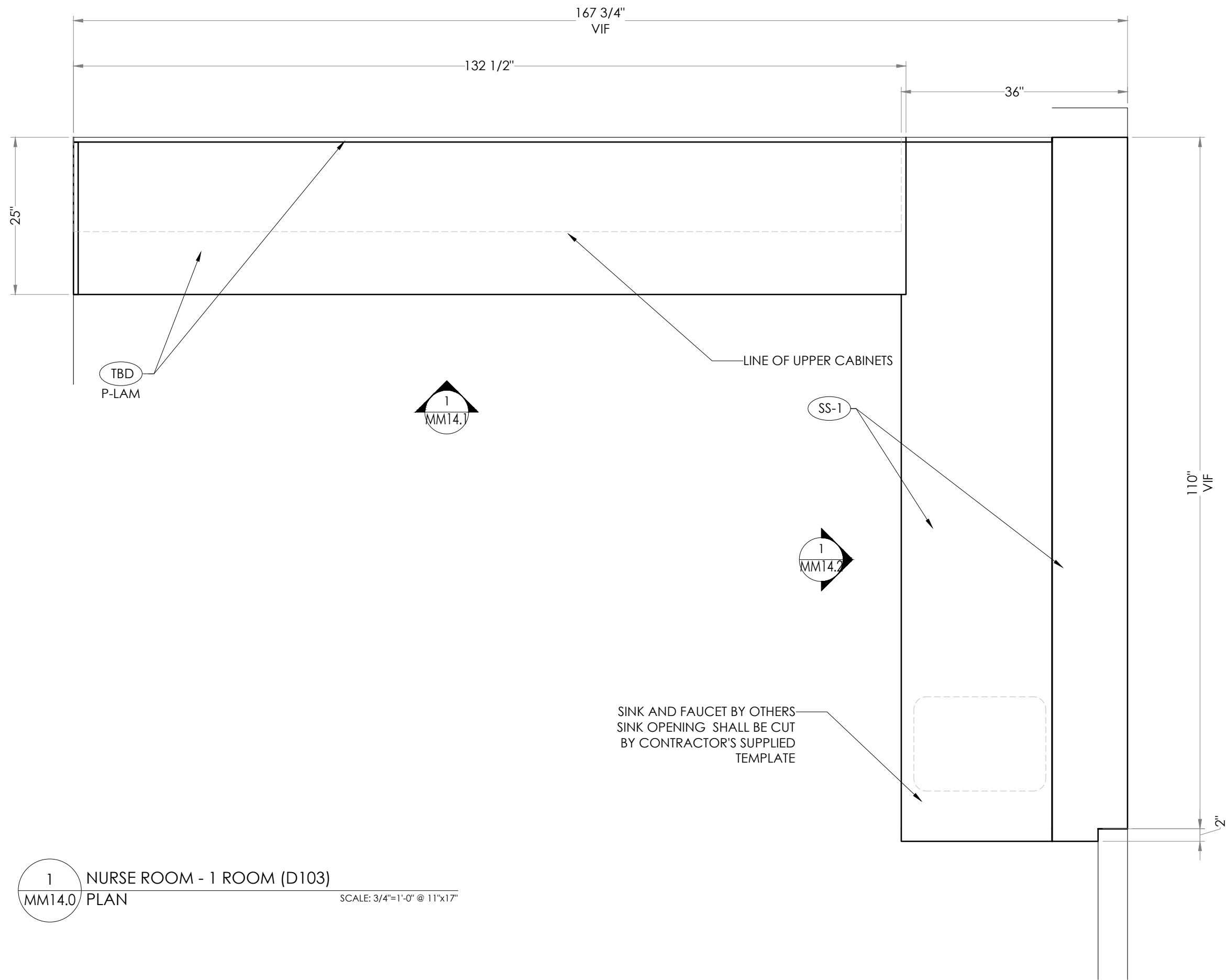
Date: **02/10/2021**  
 Rev/Date:

Project:  
**Parkway Health & Rehab**  
**New Nursing Home Facility**  
 230 River Oaks Dr.  
 Canton, MS 39046

Millwork manufacturer/Installer:  
 Sheet title:  
**NURSE ROOM - 1 ROOM (D103)**  
 Drawn By:  
**GK**

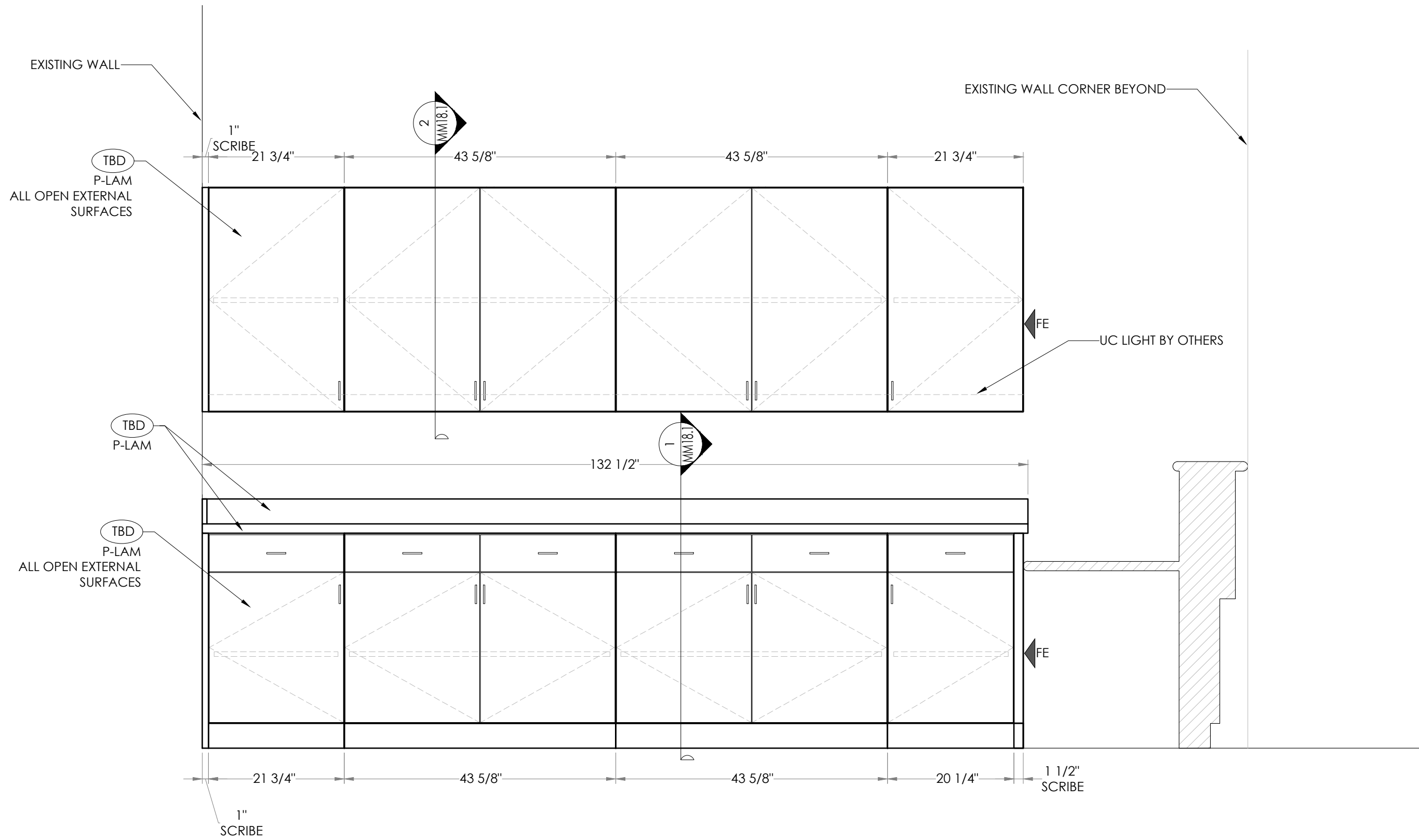
Sheet #:  
**MM14.0**

ALL DIMENSIONS TO BE VIF PRIOR TO FABRICATION | ALL MATERIAL CONNECTIONS TBD IN SHOP TO BEST ACCOMMODATE SPECIFIC PIECE



1 NURSE ROOM - 1 ROOM (D103)  
 MM14.0 PLAN SCALE: 3/4"=1'-0" @ 11"x17"



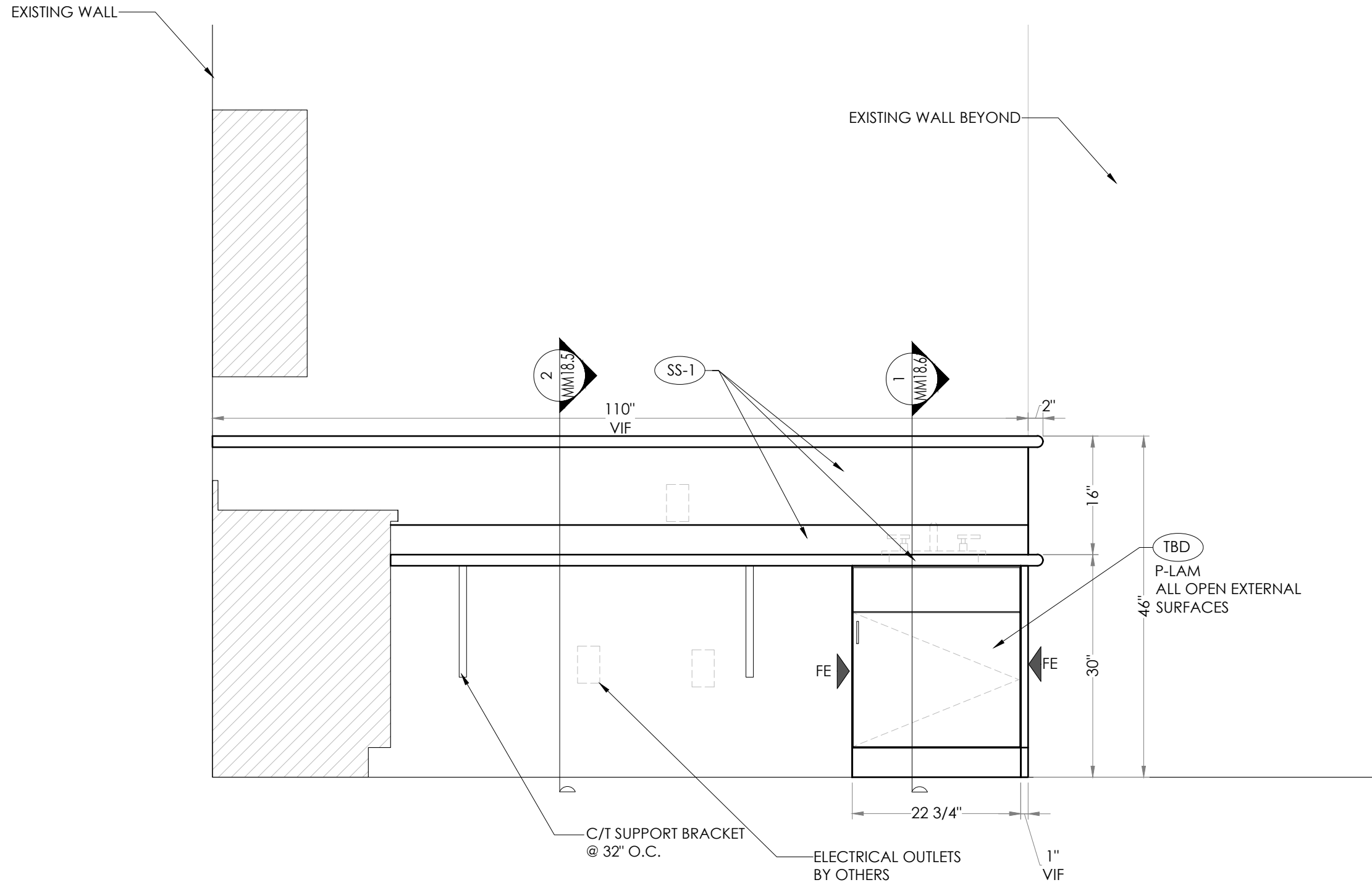


1 NURSE ROOM - 1 ROOM (D103)  
 MM14.1 ELEVATION  
 SCALE: 3/4"=1'-0" @ 11"x17"

Project:  
 Parkway Health & Rehab  
 New Nursing Home Facility  
 230 River Oaks Dr.  
 Canton, MS 39046

Millwork manufacturer/Installer:  
 Sheet title:  
**NURSE ROOM - 1 ROOM (D103)**  
 ALL DIMENSIONS TO BE VIF PRIOR TO FABRICATION | ALL MATERIAL CONNECTIONS TBD IN SHOP TO BEST ACCOMMODATE SPECIFIC PIECE  
 Sheet #:  
**MM14.1**

Drawn By:  
**GK**



1 NURSE ROOM - 1 ROOM (D103)  
 MM14.2 ELEVATION  
 SCALE: 3/4"=1'-0" @ 11"x17"

Date: **02/10/2021**  
 Rev/Date:

Project:  
 Parkway Health & Rehab  
 New Nursing Home Facility  
 230 River Oaks Dr.  
 Canton, MS 39046

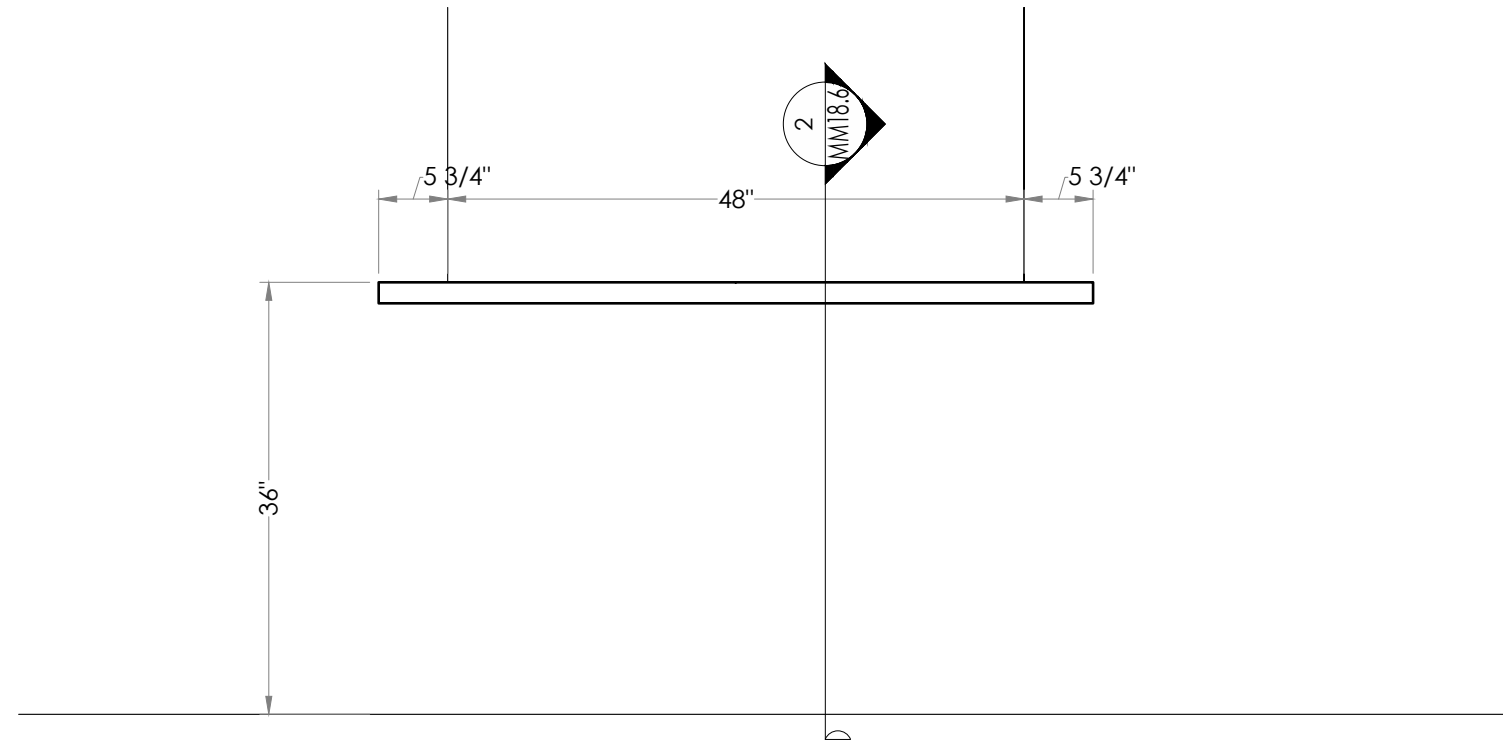
Millwork manufacturer/Installer:  
 Sheet title: **NURSE ROOM - 1 ROOM (D103)**  
 Drawn By: **GK**  
 ALL DIMENSIONS TO BE VIF PRIOR TO FABRICATION | ALL MATERIAL CONNECTIONS TBD IN SHOP TO BEST ACCOMMODATE SPECIFIC PIECE

Sheet #:  
**MM14.2**

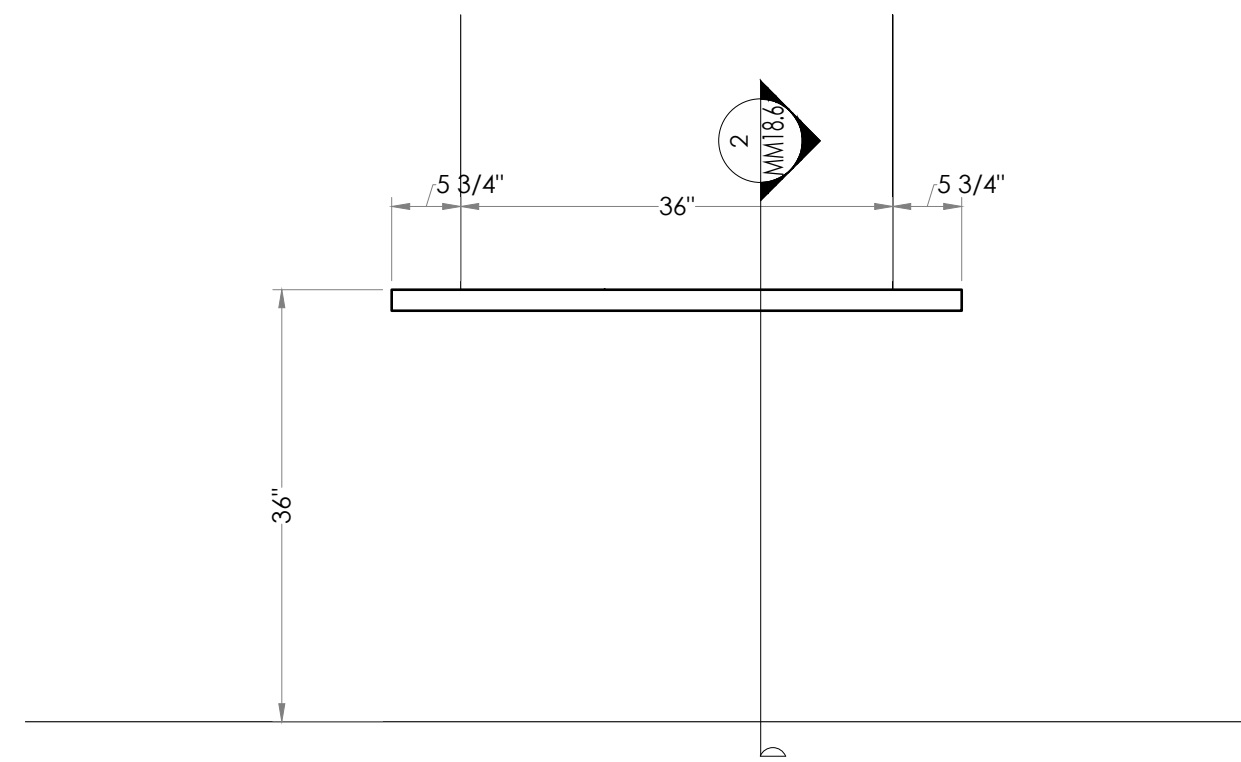
Project:  
 Parkway Health & Rehab  
 New Nursing Home Facility  
 230 River Oaks Dr.  
 Canton, MS 39046

Millwork manufacturer/Installer:  
 Sheet title: **KITCHEN COILING DOOR SILL - 1 ROOM, 2 DOORS (A121)**  
 Drawn By: **GK**  
 ALL DIMENSIONS TO BE VIF PRIOR TO FABRICATION | ALL MATERIAL CONNECTIONS TBD IN SHOP TO BEST ACCOMMODATE SPECIFIC PIECE

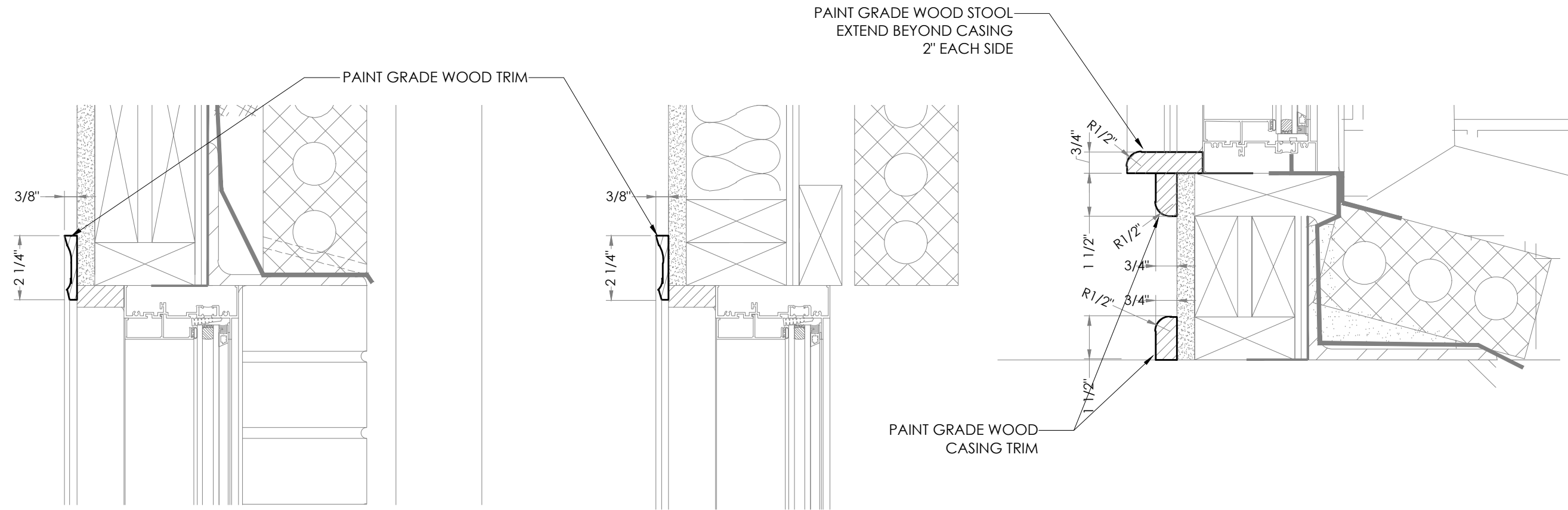
Sheet #:  
**MM15.0**



**1** KITCHEN COILING DOOR SILL - 1 ROOM, 2 DOORS (A121)  
 MM15.0 ELEVATION DOOR TYPE "H" SCALE: 3/4"=1'-0" @ 11"x17"



**2** KITCHEN COILING DOOR SILL - 1 ROOM, 2 DOORS (A121)  
 MM15.0 ELEVATION DOOR TYPE "I" SCALE: 3/4"=1'-0" @ 11"x17"



**1** WINDOWS TYPE A, B, C, D  
 MM16.0 HEAD SECTION SCALE: 3"=1'-0" @ 11"x17"

**2** WINDOWS TYPE A, B, C, D  
 MM16.0 JAMB SECTION SCALE: 3"=1'-0" @ 11"x17"

**3** WINDOWS TYPE A, B, C, D  
 MM16.0 SILL SECTION SCALE: 3"=1'-0" @ 11"x17"

WINDOW TYPE "A" - 112 UNITS  
 WINDOW TYPE "B" - 2 UNITS  
 WINDOW TYPE "C" - 2 UNITS  
 WINDOW TYPE "D" - NOT FOUND

QTY OF WOOD REQUIRED  
 TRIM - ~1,700'  
 STOOL - ~730'  
 CASING - ~1,380'

Project:  
 Parkway Health & Rehab  
 New Nursing Home Facility  
 230 River Oaks Dr.  
 Canton, MS 39046

Millwork manufacturer/Installer:  
 Drawn By: **GK**  
 Sheet title: **WINDOWS TYPE A, B, C, D**  
 ALL DIMENSIONS TO BE VIF PRIOR TO FABRICATION | ALL MATERIAL CONNECTIONS TBD IN SHOP TO BEST ACCOMMODATE SPECIFIC PIECE

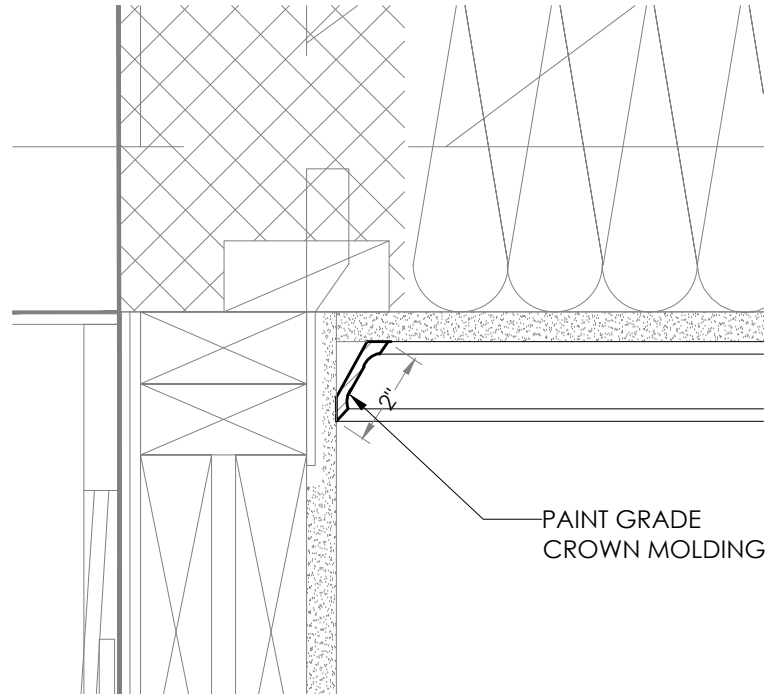
Date: **02/10/2021**  
 Rev/Date:

Project:  
**Parkway Health & Rehab**  
**New Nursing Home Facility**  
 230 River Oaks Dr.  
 Canton, MS 39046

Millwork manufacturer/Installer:  
 Sheet title:  
**TYP. BEDROOM CROWN MOLDING**  
 ALL DIMENSIONS TO BE VIF PRIOR TO FABRICATION | ALL MATERIAL CONNECTIONS TBD IN SHOP TO BEST ACCOMMODATE SPECIFIC PIECE

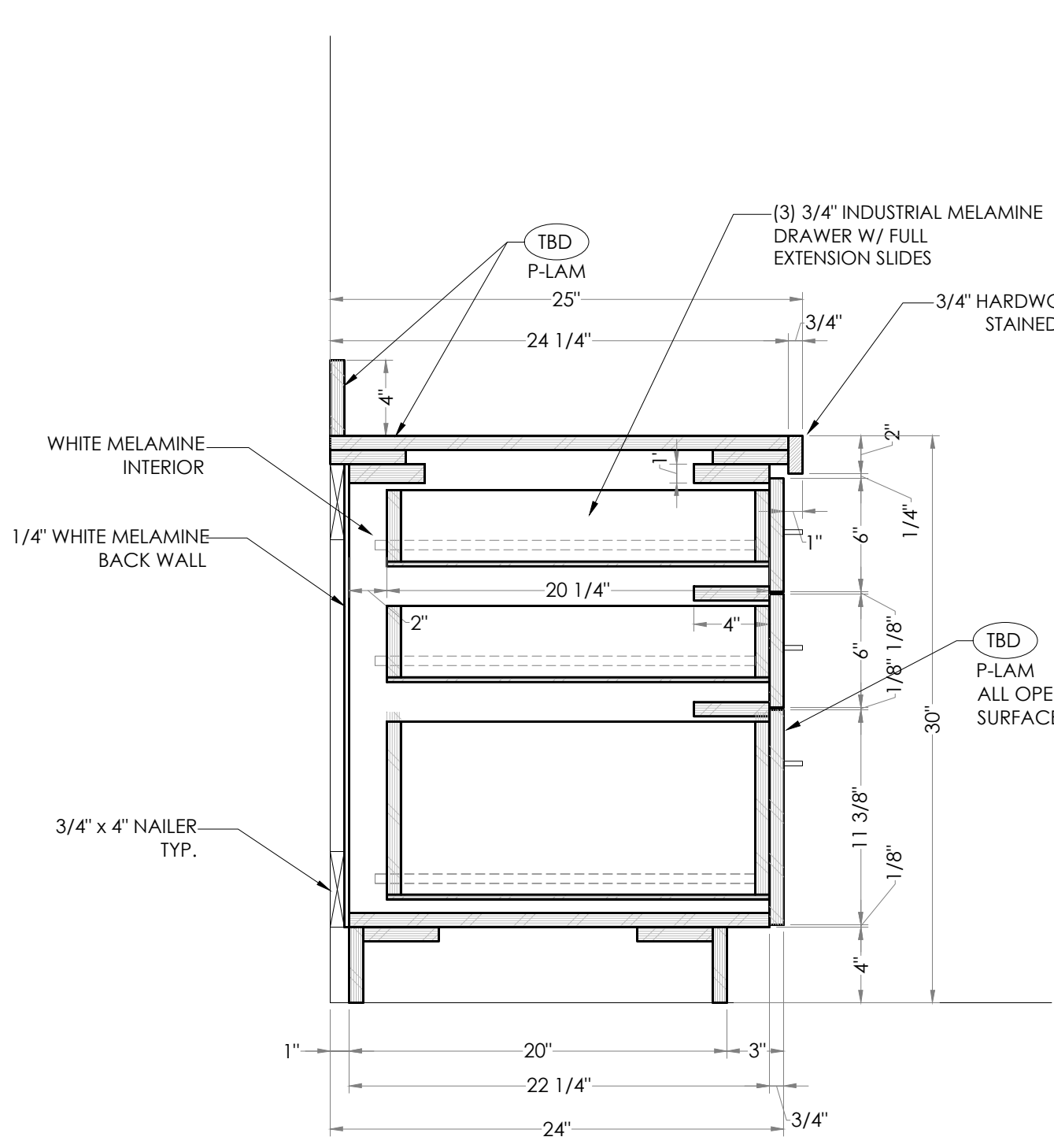
Sheet #:  
**MM17.0**

Drawn By:  
**GK**

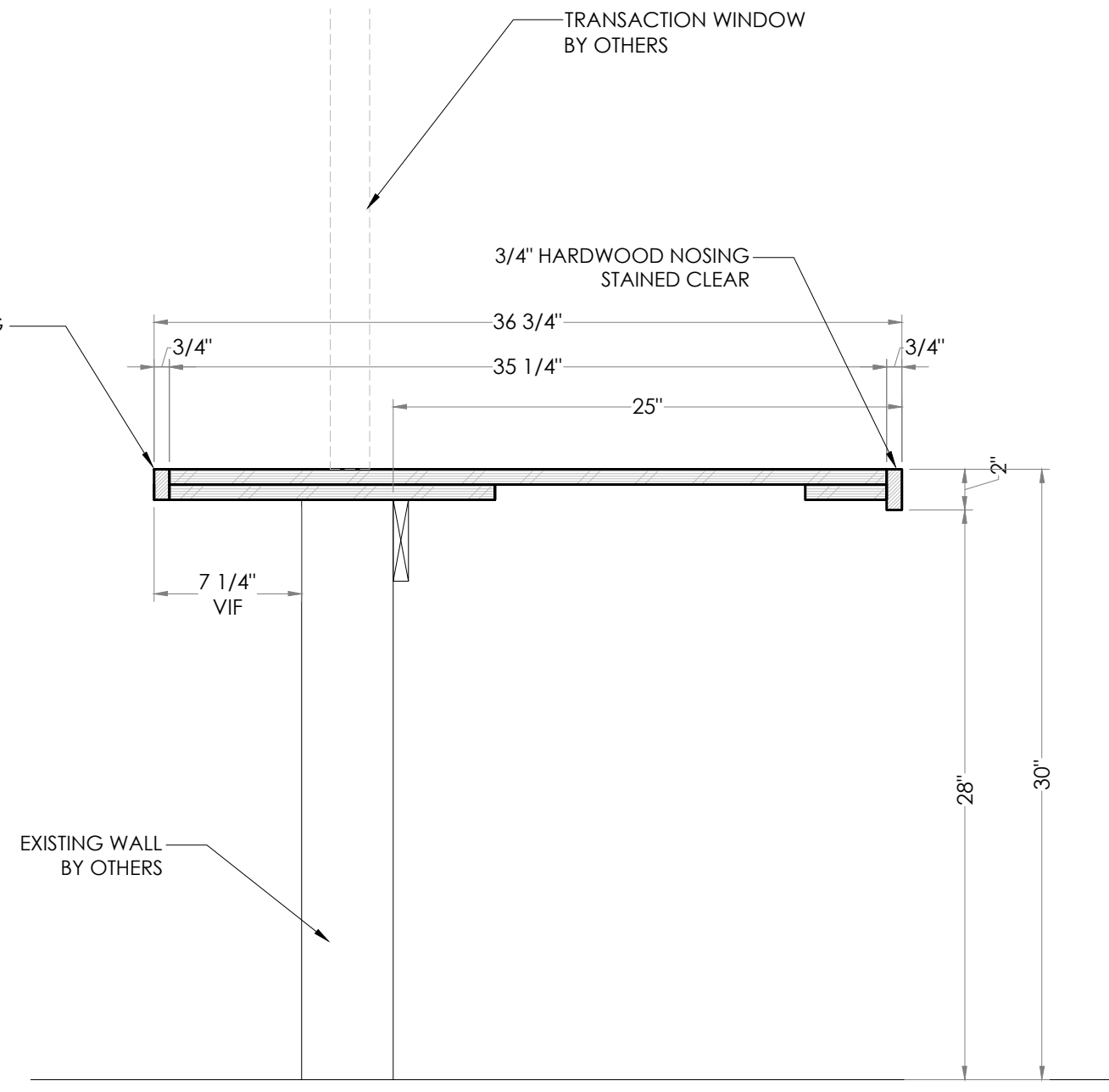


**1** TYP. BEDROOM CROWN MOLDING  
 MM17.0 SECTION SCALE: 3"=1'-0" @ 11"x17"

QTY OF WOOD REQUIRED  
 87 BEDROOMS x ~66' EACH = ~5,742'



1 SECTION  
MM18.0 SCALE: 1 1/2"=1'-0" @ 11"x17"



2 SECTION  
MM18.0 SCALE: 1 1/2"=1'-0" @ 11"x17"

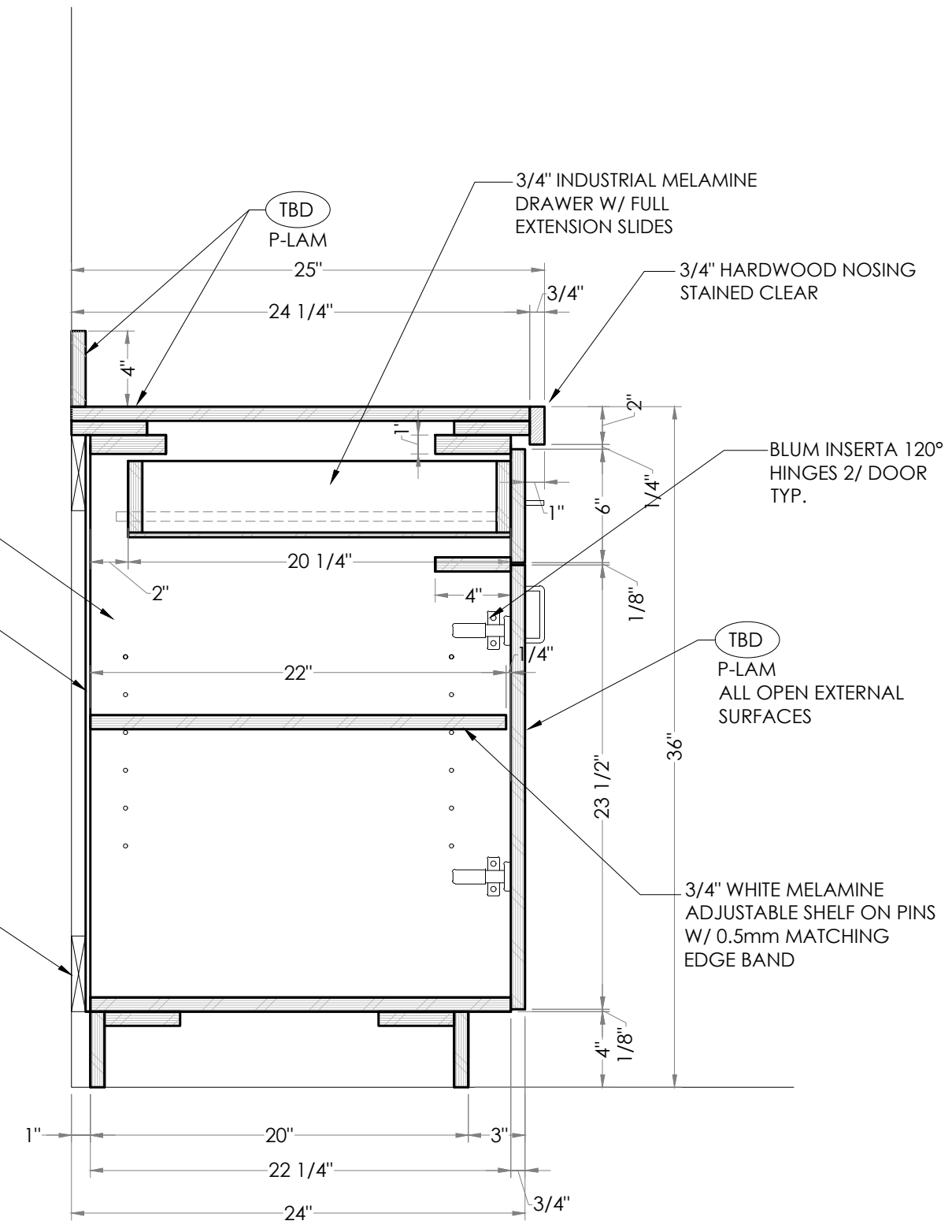
Date: **02/10/2021**  
Rev/Date:

Project:  
**Parkway Health & Rehab**  
**New Nursing Home Facility**  
230 River Oaks Dr.  
Canton, MS 39046

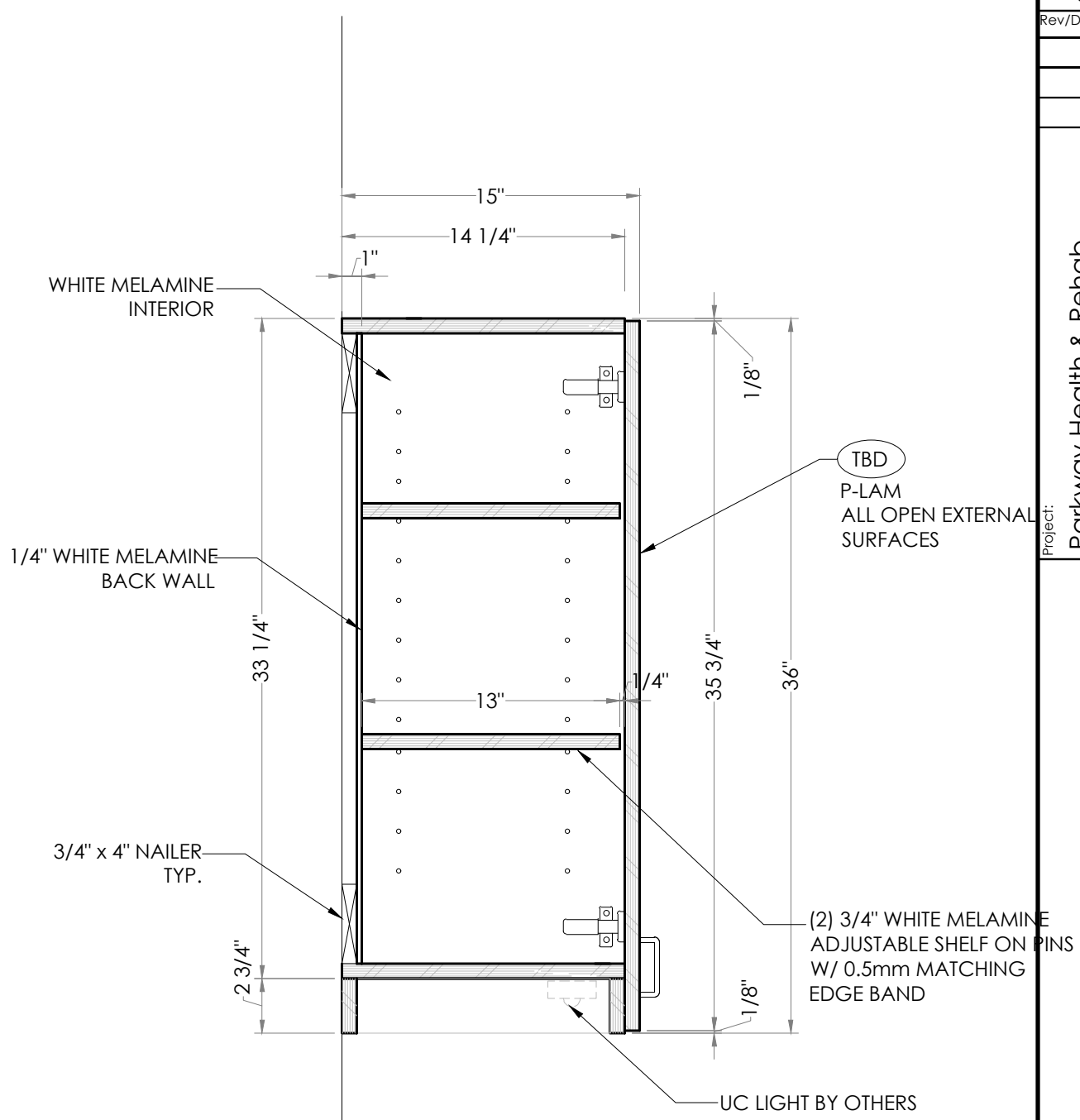
Millwork manufacturer/Installer:  
Sheet title:  
**SECTIONS**  
Drawn By: **GK**  
Sheet #:

**MM18.0**

ALL DIMENSIONS TO BE VIF PRIOR TO FABRICATION | ALL MATERIAL CONNECTIONS TBD IN SHOP TO BEST ACCOMMODATE SPECIFIC PIECE



**1 SECTION**  
 MM18.1  
 SCALE: 1 1/2"=1'-0" @ 11"x17"

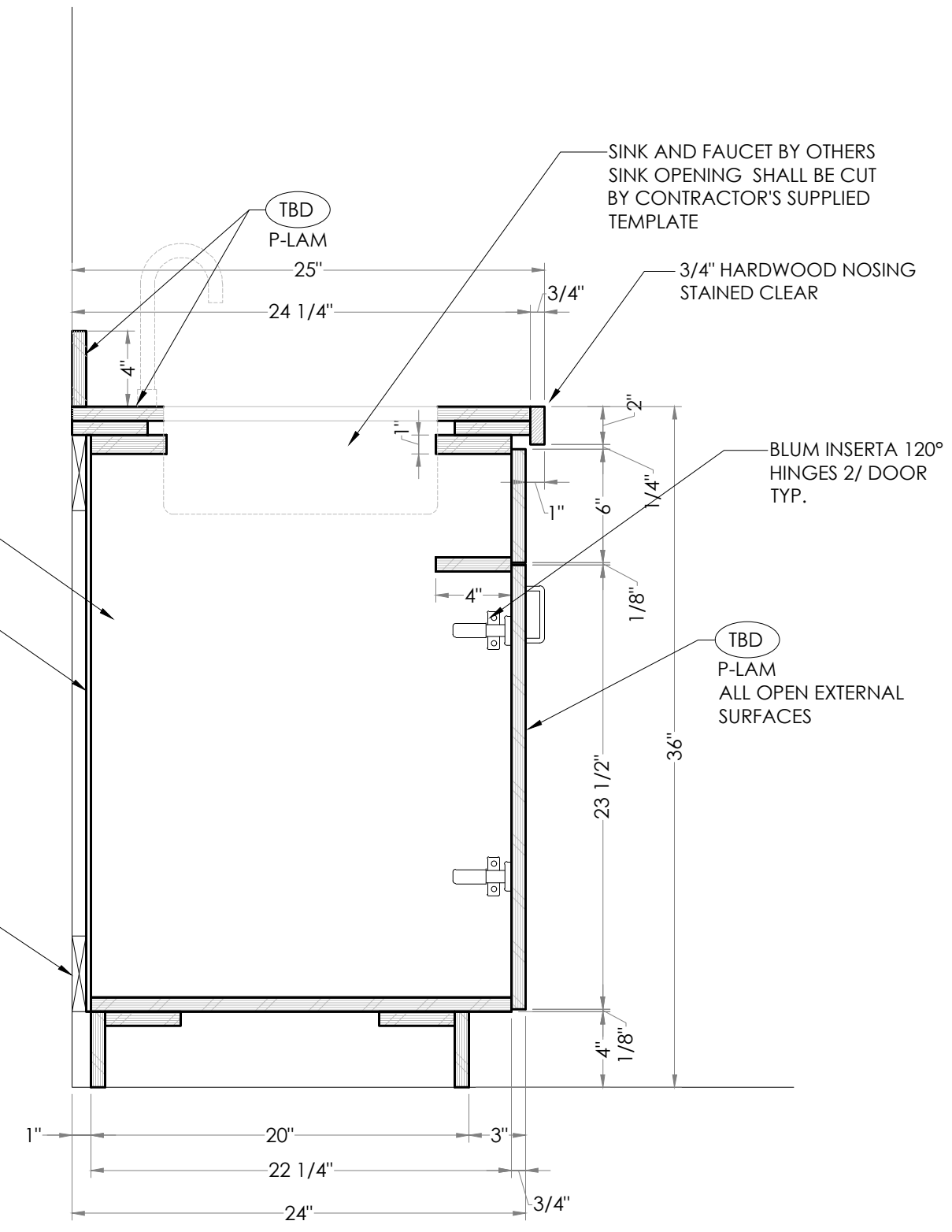


**2 SECTION**  
 MM18.1  
 SCALE: 1 1/2"=1'-0" @ 11"x17"

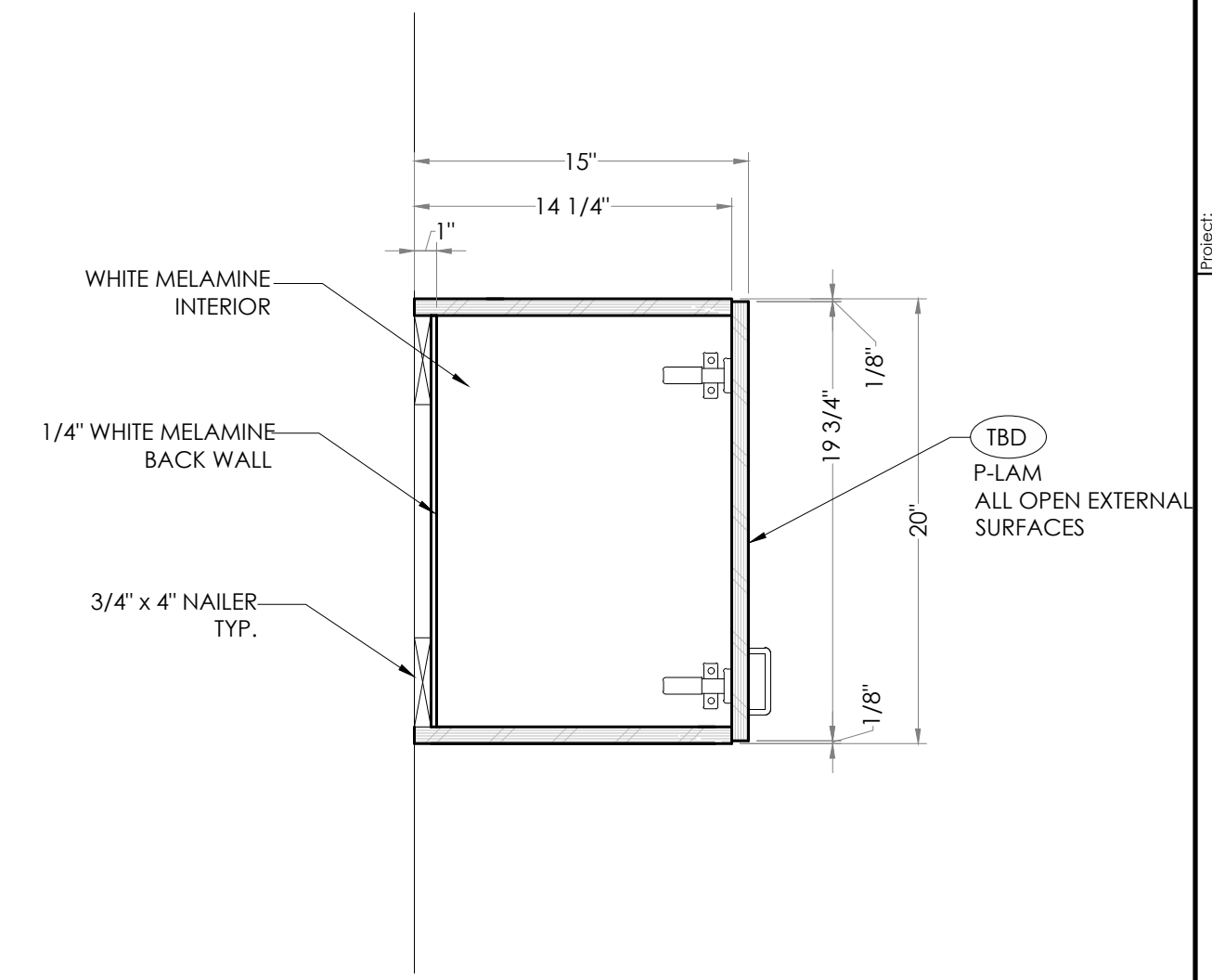
Project:  
**Parkway Health & Rehab**  
**New Nursing Home Facility**  
 230 River Oaks Dr.  
 Canton, MS 39046

Millwork manufacturer/Installer:  
 Drawn By: **GK**  
**SECTIONS**  
 ALL DIMENSIONS TO BE VIF PRIOR TO FABRICATION | ALL MATERIAL CONNECTIONS TBD IN SHOP TO BEST ACCOMMODATE SPECIFIC PIECE

Sheet #:  
**MM18.2**

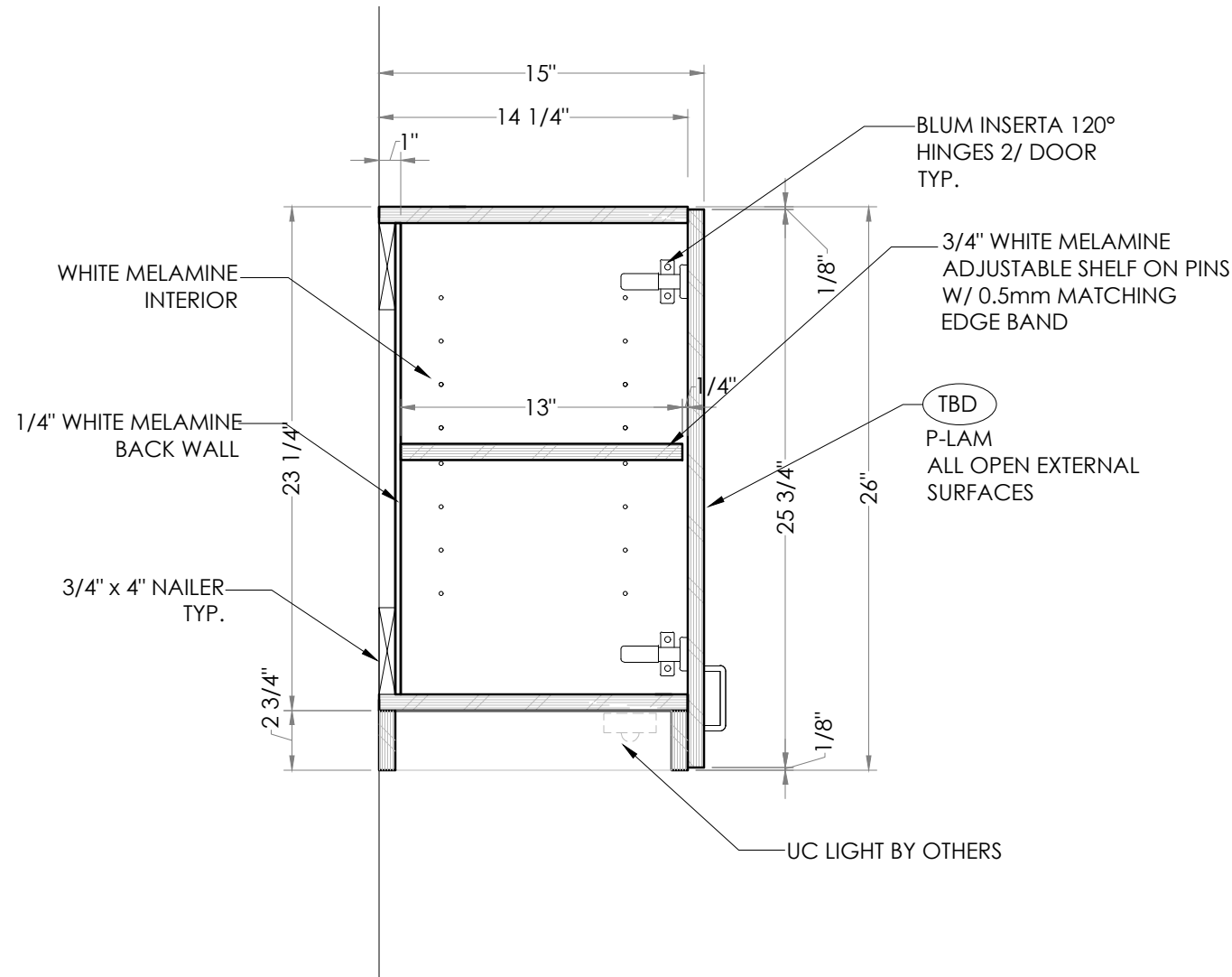


**1** SECTION  
 MM18.2 SCALE: 1"=1'-0" @ 11"x17"

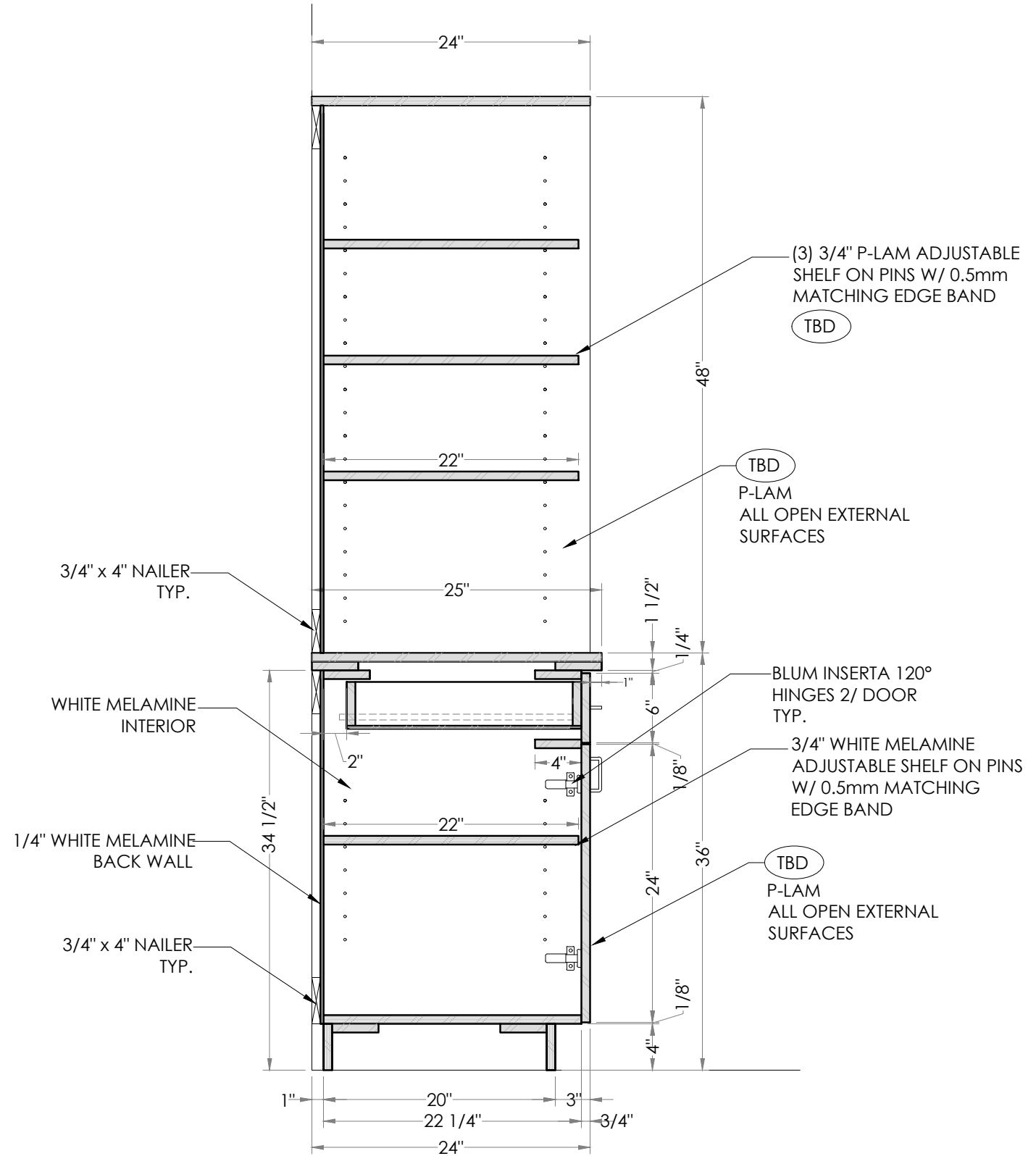


**2** SECTION  
 MM18.2 SCALE: 1 1/2"=1'-0" @ 11"x17"





1 SECTION  
MM18.3  
SCALE: 1 1/2"=1'-0" @ 11"x17"



2 SECTION  
MM18.3  
SCALE: 1"=1'-0" @ 11"x17"

Date: **02/10/2021**  
Rev/Date:

Project:  
**Parkway Health & Rehab  
New Nursing Home Facility**  
230 River Oaks Dr.  
Canton, MS 39046

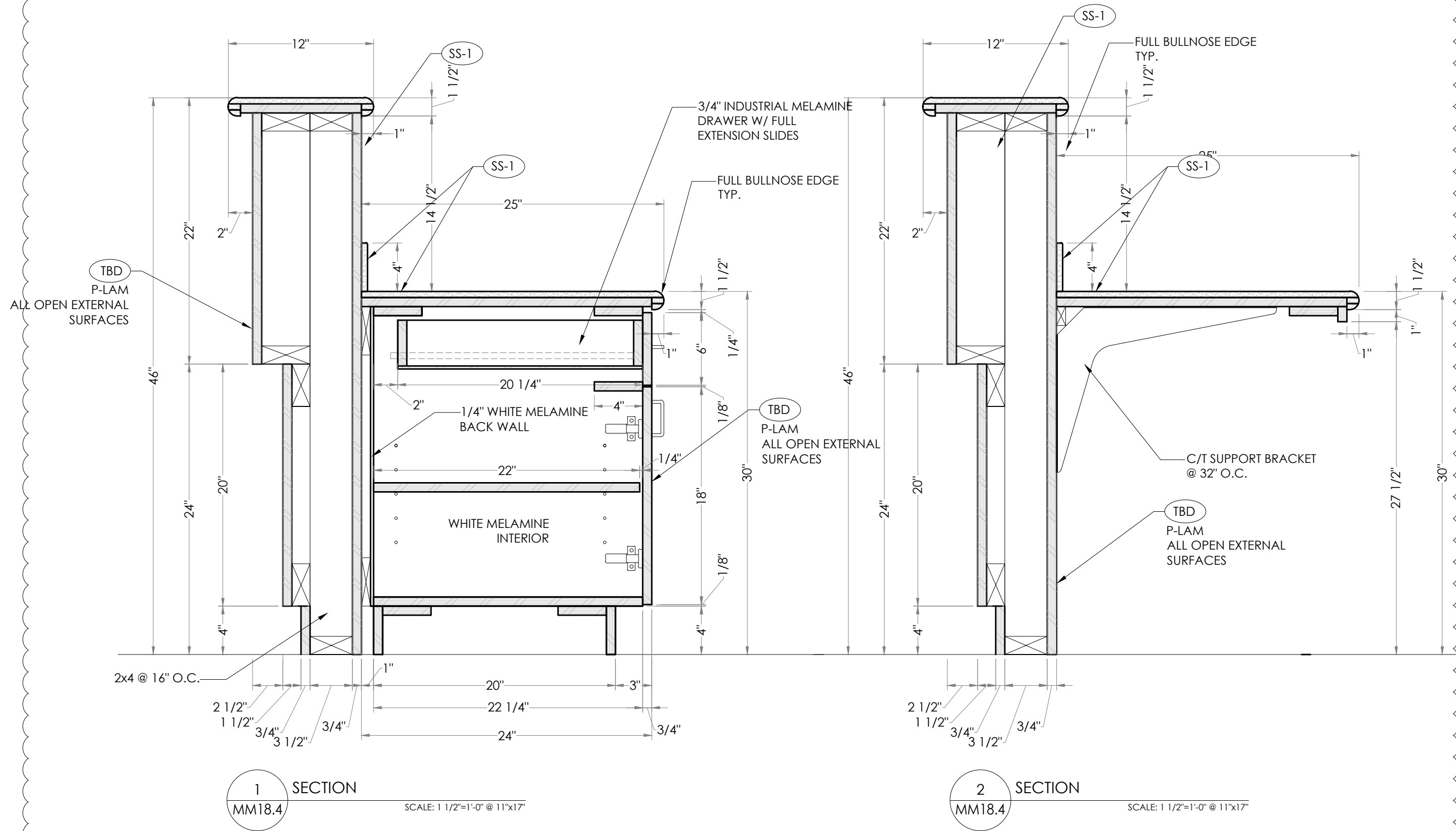
Millwork manufacturer/Installer:  
Sheet title: **SECTIONS**  
Drawn By: **GK**  
ALL DIMENSIONS TO BE VIF PRIOR TO FABRICATION | ALL MATERIAL CONNECTIONS TBD IN SHOP TO BEST ACCOMMODATE SPECIFIC PIECE  
Sheet #:

**MM18.3**

Project:  
**Parkway Health & Rehab**  
**New Nursing Home Facility**  
 230 River Oaks Dr.  
 Canton, MS 39046

Millwork manufacturer/Installer:  
 Sheet title: **SECTIONS**  
 Drawn By: **GK**  
 Sheet #:

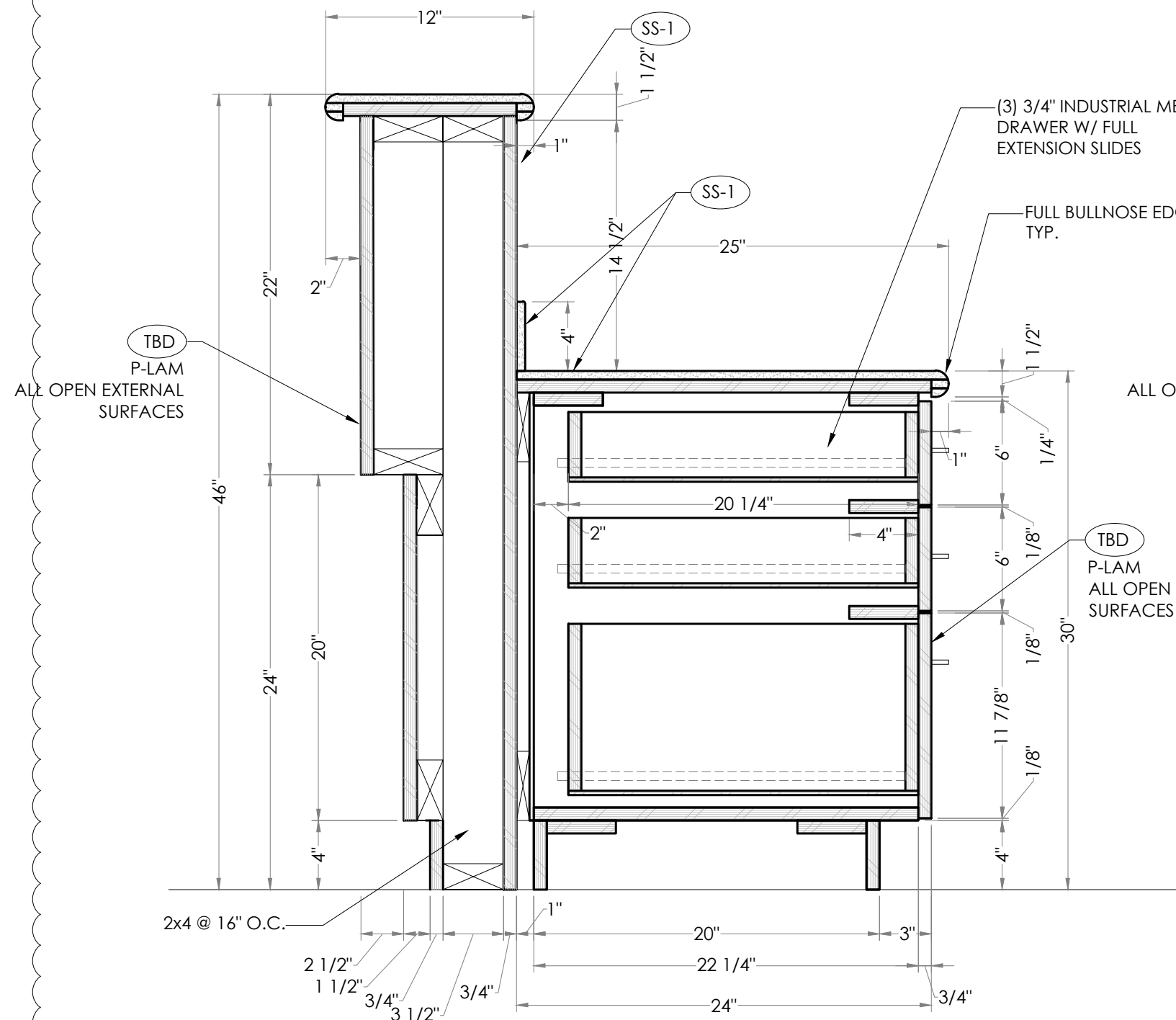
**MM18.4**



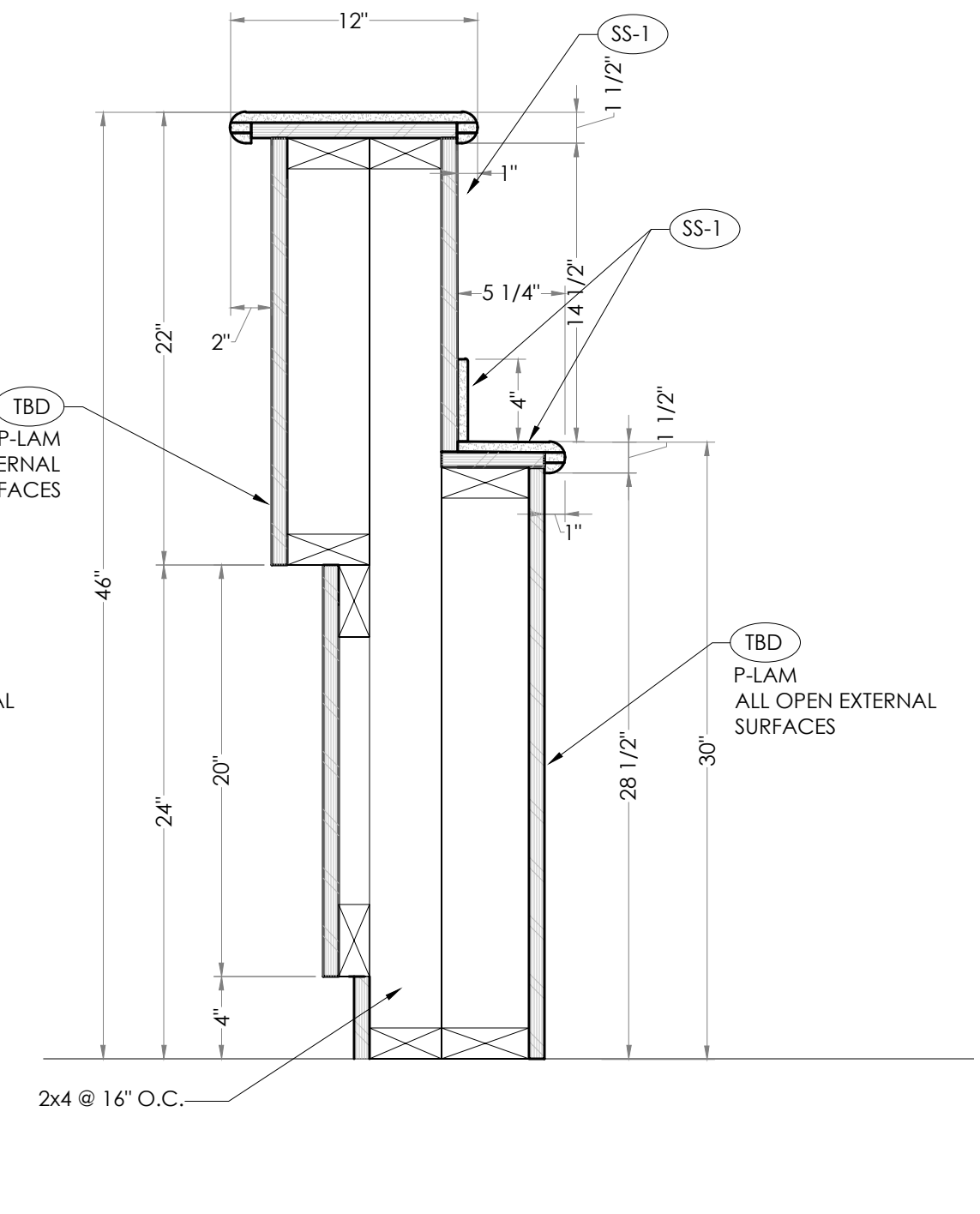
**1 SECTION**  
 MM18.4  
 SCALE: 1 1/2"=1'-0" @ 11"x17"

**2 SECTION**  
 MM18.4  
 SCALE: 1 1/2"=1'-0" @ 11"x17"

ALL DIMENSIONS TO BE VIF PRIOR TO FABRICATION | ALL MATERIAL CONNECTIONS TBD IN SHOP TO BEST ACCOMMODATE SPECIFIC PIECE



**1 SECTION**  
 MM18.5 SCALE: 1 1/2"=1'-0" @ 11"x17"



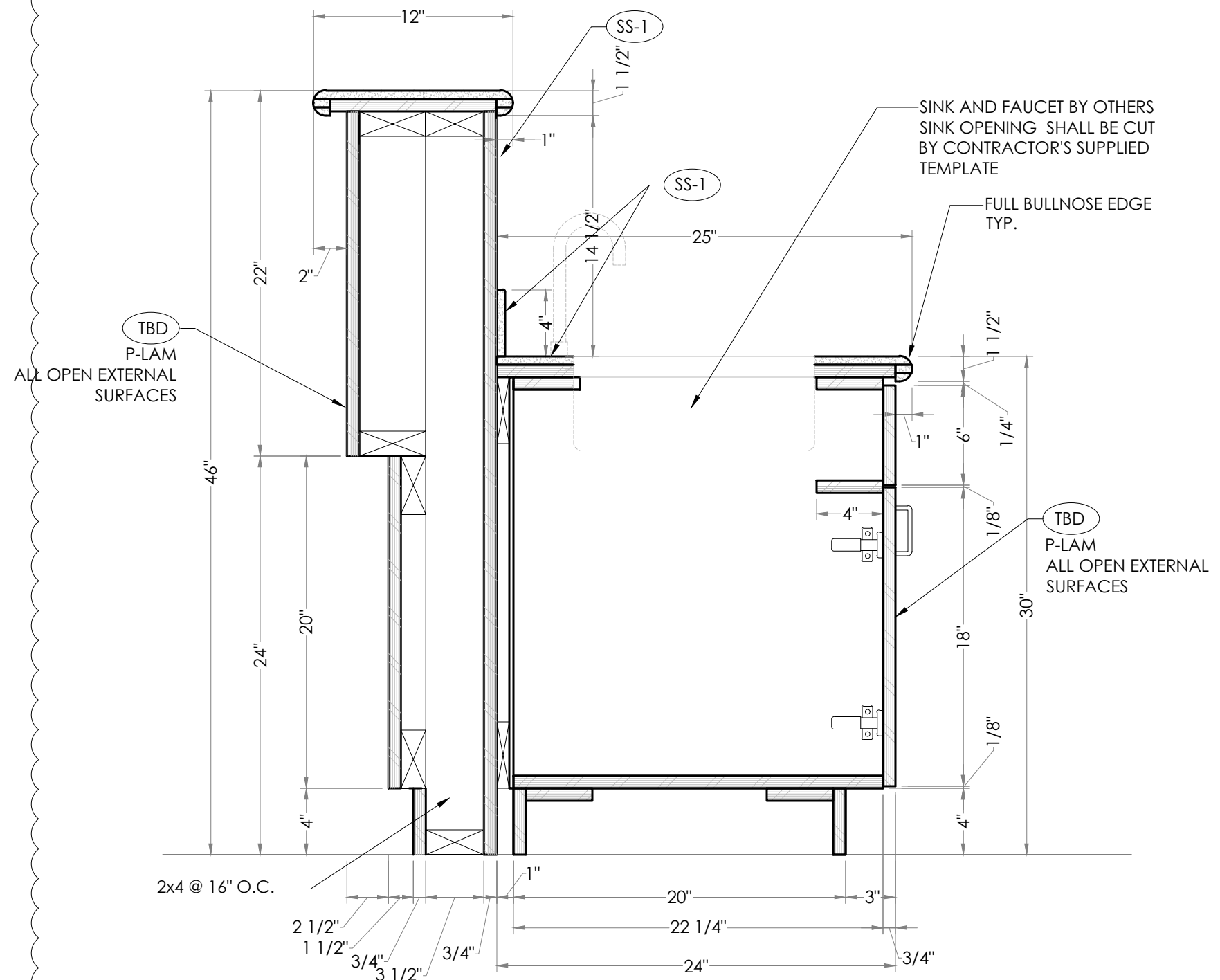
**2 SECTION**  
 MM18.5 SCALE: 1 1/2"=1'-0" @ 11"x17"

Date: **02/10/2021**  
 Rev/Date:

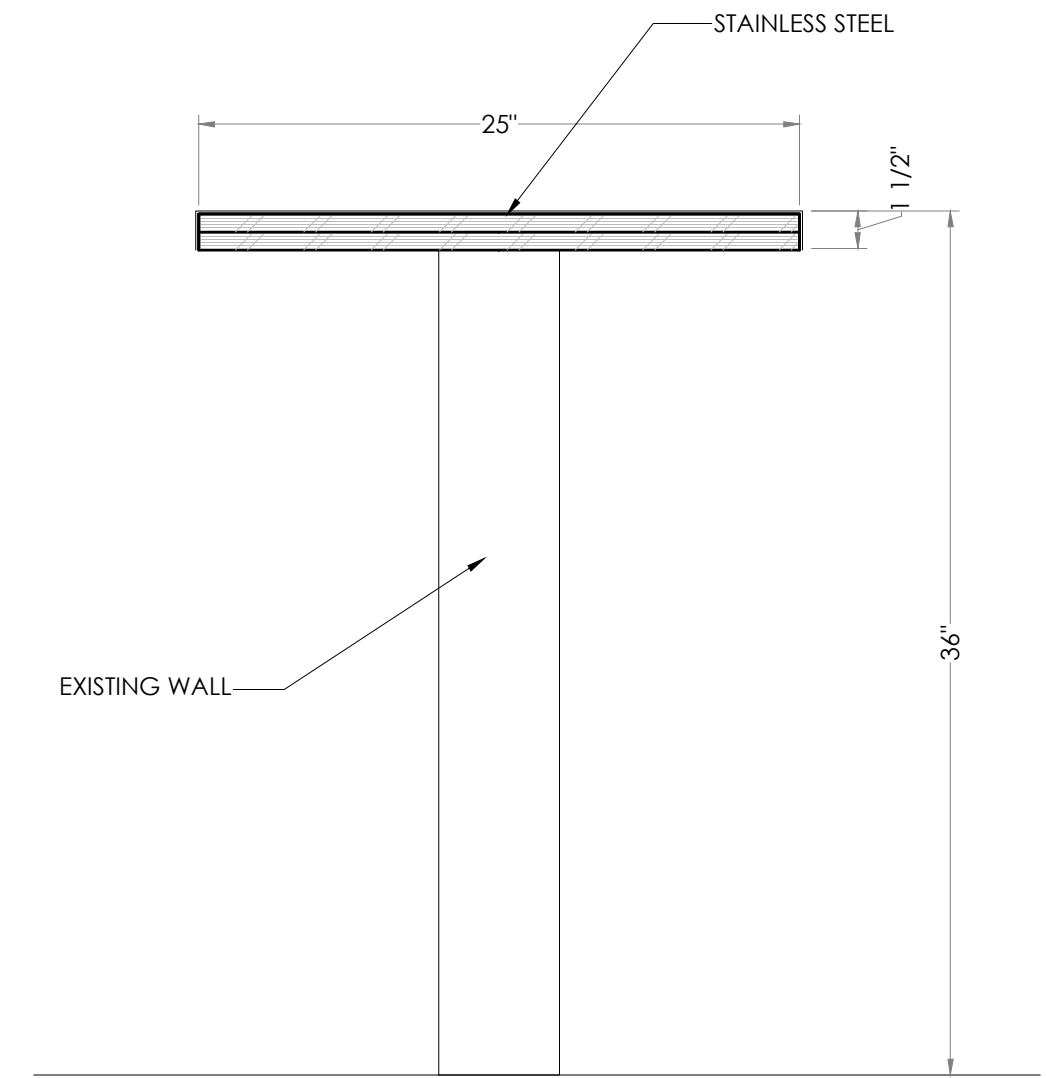
Project:  
**Parkway Health & Rehab**  
**New Nursing Home Facility**  
 230 River Oaks Dr.  
 Canton, MS 39046

Millwork manufacturer/Installer:  
 Drawn By: **GK**  
**SECTIONS**  
 ALL DIMENSIONS TO BE VIF PRIOR TO FABRICATION | ALL MATERIAL CONNECTIONS TBD IN SHOP TO BEST ACCOMMODATE SPECIFIC PIECE  
 Sheet #:

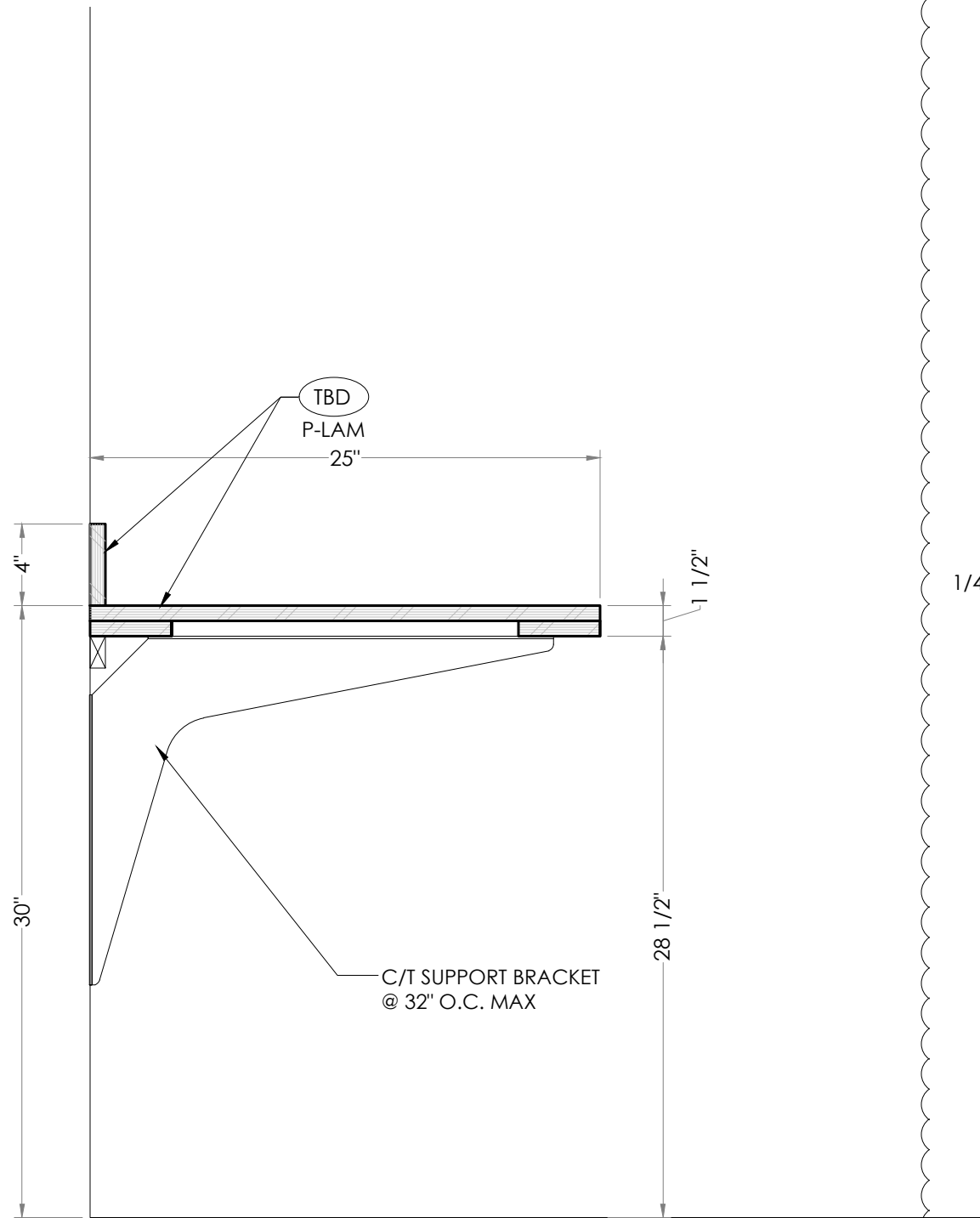
**MM18.6**



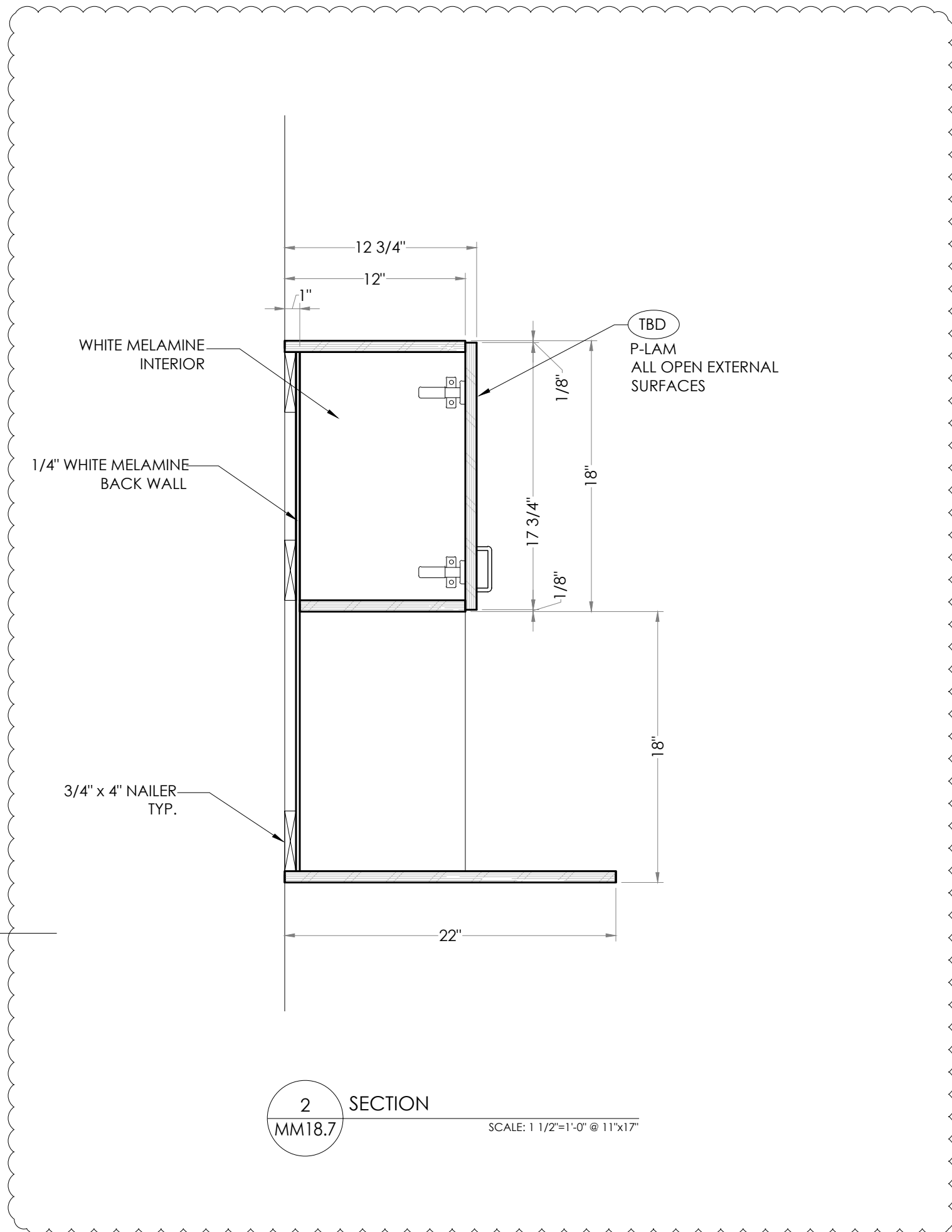
**1 SECTION**  
 MM18.6 SCALE: 1 1/2"=1'-0" @ 11"x17"



**2 SECTION**  
 MM18.6 SCALE: 1 1/2"=1'-0" @ 11"x17"



1 SECTION  
MM18.7 SCALE: 1 1/2"=1'-0" @ 11"x17"



2 SECTION  
MM18.7 SCALE: 1 1/2"=1'-0" @ 11"x17"

Date: **02/10/2021**  
Rev/Date:

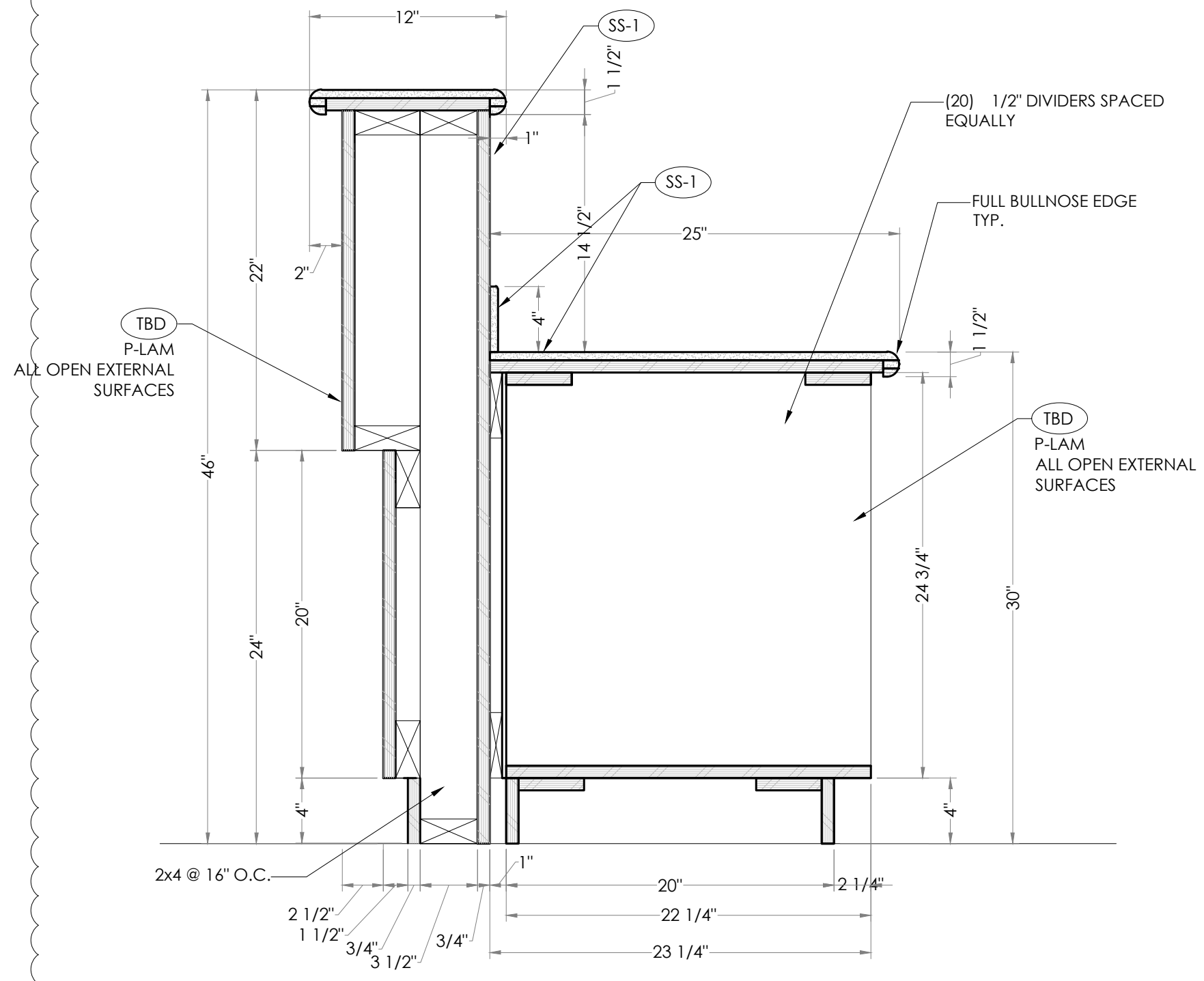
Project:  
**Parkway Health & Rehab**  
**New Nursing Home Facility**  
230 River Oaks Dr.  
Canton, MS 39046

Millwork manufacturer/Installer:  
Sheet title:  
Sheet #:  
Drawn By: **GK**  
**SECTIONS**  
ALL DIMENSIONS TO BE VIF PRIOR TO FABRICATION | ALL MATERIAL CONNECTIONS TBD IN SHOP TO BEST ACCOMMODATE SPECIFIC PIECE

**MM18.7**

Project:  
**Parkway Health & Rehab**  
**New Nursing Home Facility**  
 230 River Oaks Dr.  
 Canton, MS 39046

Millwork manufacturer/Installer:	Drawn By: <b>GK</b>
Sheet title:	<b>SECTIONS</b>
Sheet #:	



**1 SECTION**  
**MM18.5**  
 SCALE: 1 1/2"=1'-0" @ 11"x17"

ALL DIMENSIONS TO BE VIF PRIOR TO FABRICATION | ALL MATERIAL CONNECTIONS TBD IN SHOP TO BEST ACCOMMODATE SPECIFIC PIECE

FINAL PAGE  
INTENTIONALLY  
LEFT BLANK